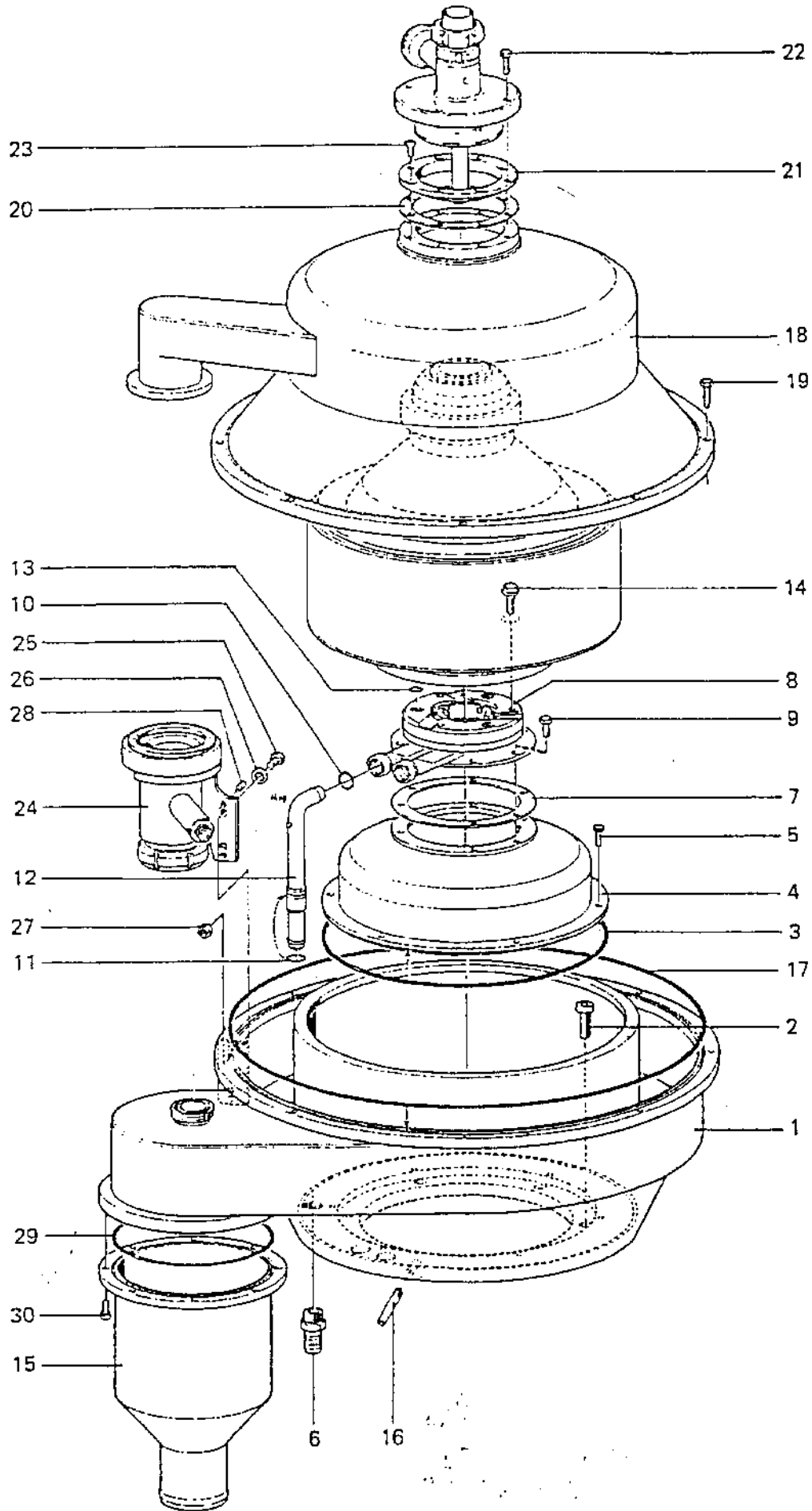


## **Hutchison-Hayes Separators, Inc.**

### **Model AFPX 510XGD-14CG Parts List With Diagrams**

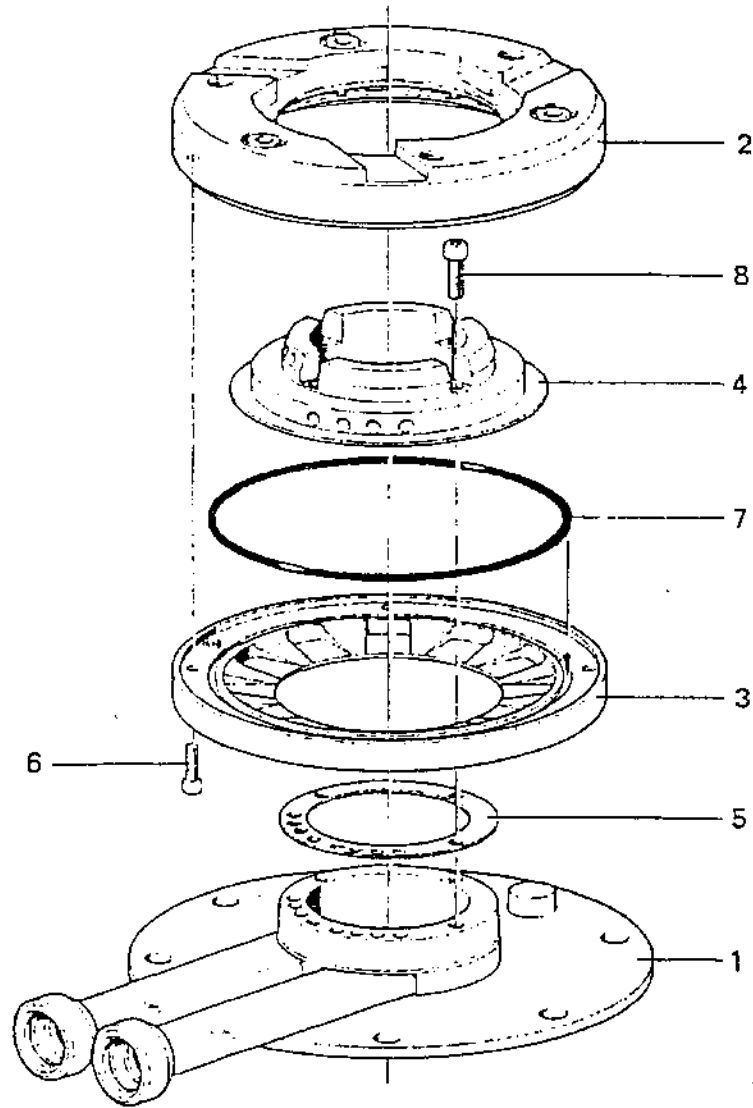
**P.O. Box 2965 ♦ Houston, Texas 77252**  
**3520 East Belt ♦ Houston, Texas 77015**  
**(713) 455-9600 ♦ Fax (713) 455-7753**



Machine type AFPX 510XGD-14CG	Machine unit description Machine top part
	Subassembly description

Page <b>100-1</b>
Fig. ref. 538A
Date 90-05

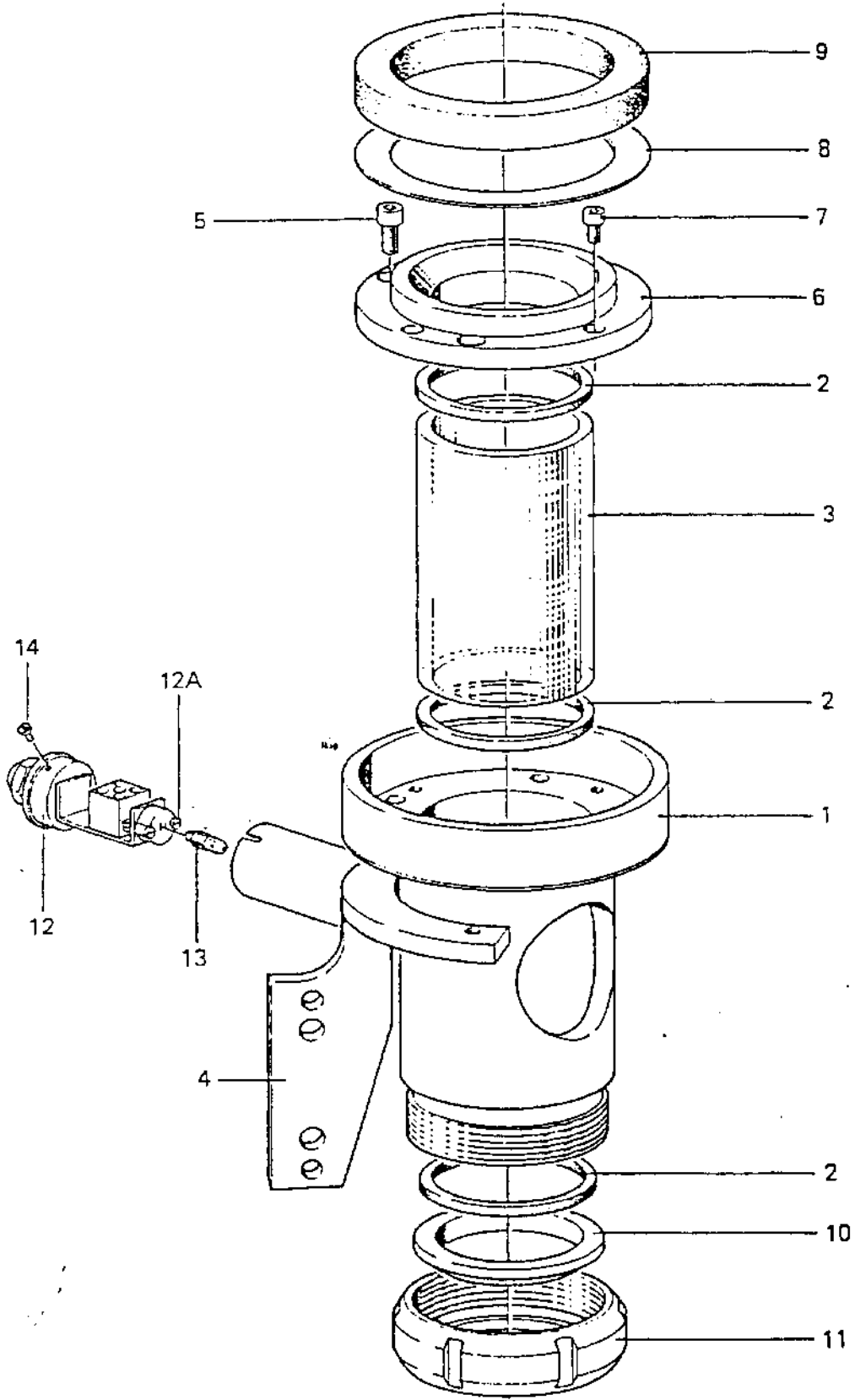
Ref.	Part No	Description	Machine unit No or Subassembly No / Qty							Notes
			548335 01							
1	7 007947 80	Frame top part .....	1							
2	547404 01	Screw .....	6							
3	223412 56	O-ring .....	1							
4	545959 80	Hood for top bearing .....	1							
5	221036 02	Screw .....	6							
6	7 007554 05	Hose nipple .....	1							
7	530208 02	Height adjusting ring .....	5							
8	536779 82	Paring disc device .....	1	-	-	-	-	-	-	SEE PAGE 100-1.1
9	221041 19	Screw .....	6							
10	74067	O-ring .....	2							
11	223406 20	O-ring .....	2							
12	540596 80	Tube for operating liquid .....	2							
13	223404 18	O-ring .....	3							
14	536773 01	Screw .....	3							
15	7 007687 81	Discharge funnel .....	1							
16	546435 01	Tube .....	1							
17	7 007747 01	O-ring .....	1							
18	548187 01	Frame hood .....	1							
19	221041 03	Screw .....	8							
20	528096 02	Height adjusting ring .....	5							
21	527971 02	Guide ring .....	1							
22	221041 01	Screw .....	4							
23	260329 03	Screw .....	4							
24	548175 81	Inspection box .....	1	-	-	-	-	-	-	SEE PAGE 100-1.2
25	221041 01	Screw .....	2							
26	223101 61	Washer .....	2							
27	221803 29	Nut .....	2							
28	260121 11	Cylindrical pin .....	2							
29	223412 05	O-ring .....	1							
30	221716 09	Screw .....	8							



Machine type AFPX 510XGD-14CG	Machine unit description Machine top part
	Subassembly description Paring disc device

Page <b>100-1.1</b>
Fig. ref. 378A
Date 90-05

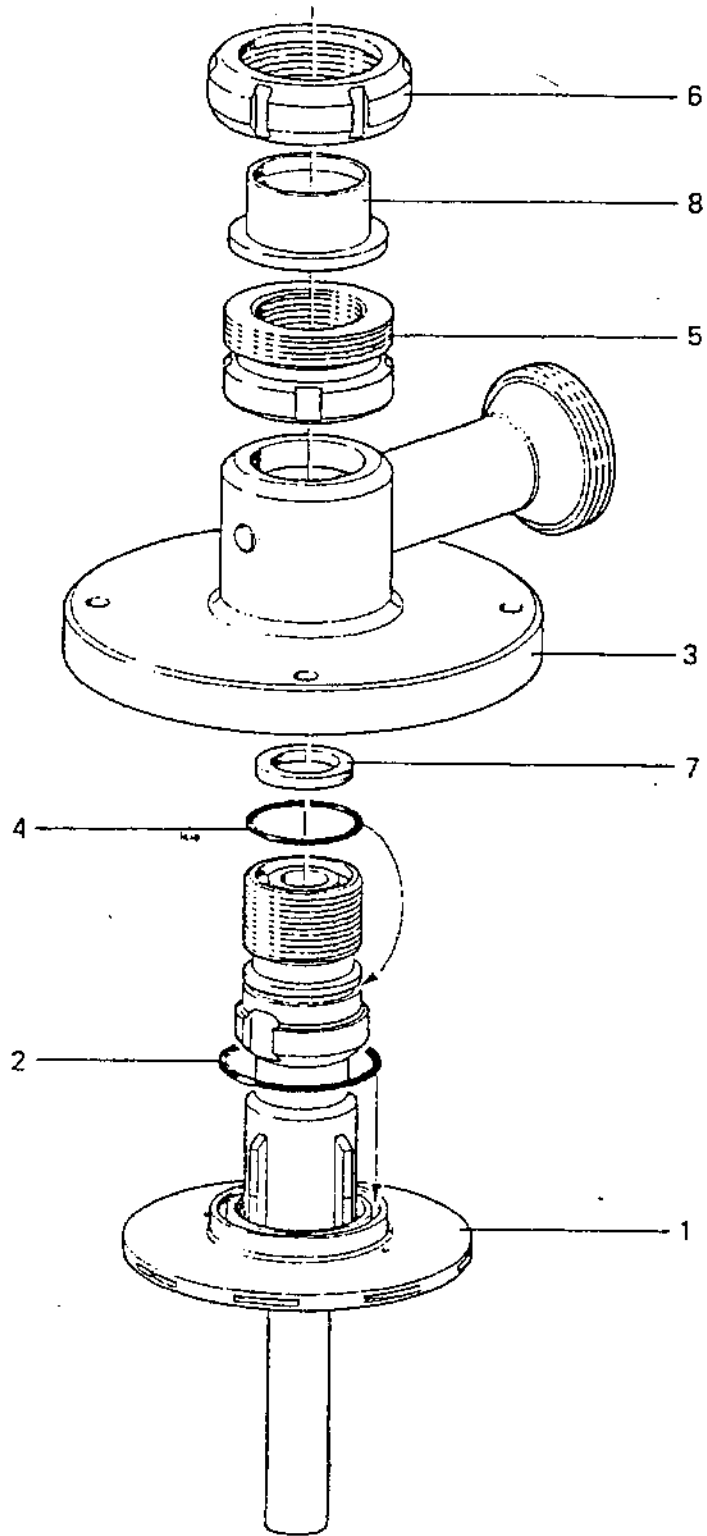
Ref.	Part No	Description	Machine unit No or Subassembly No / Qty						Notes
			536779 82						
1	536331 81	Distributing cover .....	1						
2	536718 04	Distributing ring .....	1						
3	536717 04	Cover for distrib. ring .....	1						
4	536715 03	Control paring disc .....	1						
5	536775 01	Gasket .....	1						
6	221706 10	Screw .....	4						
7	223406 86	O-ring .....	1						
8	221711 13	Screw .....	4						



Machine type AFPX 510XGD-14CG	Machine unit description Machine top part
	Subassembly description Inspection box

Page <b>100-1.2</b>
Fig. ref. 333A
Date 90-05

Ref.	Part No	Description	Machine unit No or Subassembly No / Qty						Notes
			548175 B1						
1	548172 01	Inspection box .....	1						
2	190606	Rectangular ring .....	3						
3	534083 01	Glass tube .....	1						
4	548406 80	Holder .....	1						
5	221716 16	Screw .....	3						
6	548173 01	Clamp ring .....	1						
7	221711 23	Screw .....	4						
8	69584	Rectangular ring .....	4						
9	71162	Seal ring .....	1						
10	546113 81	Hose liner .....	1						
11	190618	Coupling nut .....	1						
12	548426 80	Lamp holder .....	1						
12A	221116 05	Screw .....	2						
13	552579 01	Lampbulb .....	1						
14	221121 46	Screw .....	3						

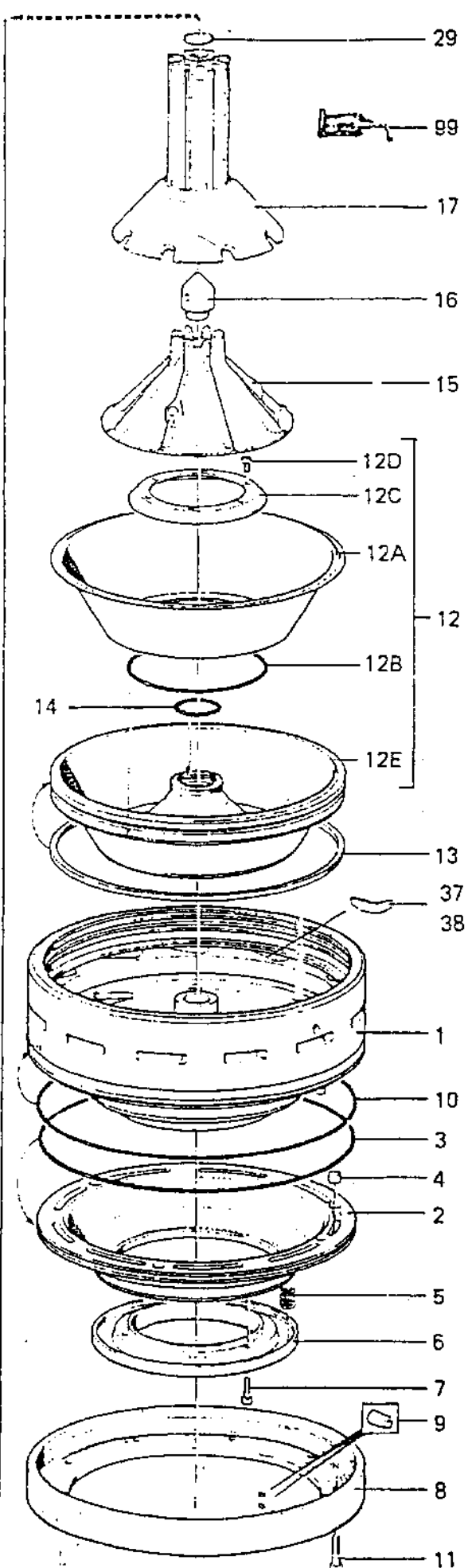
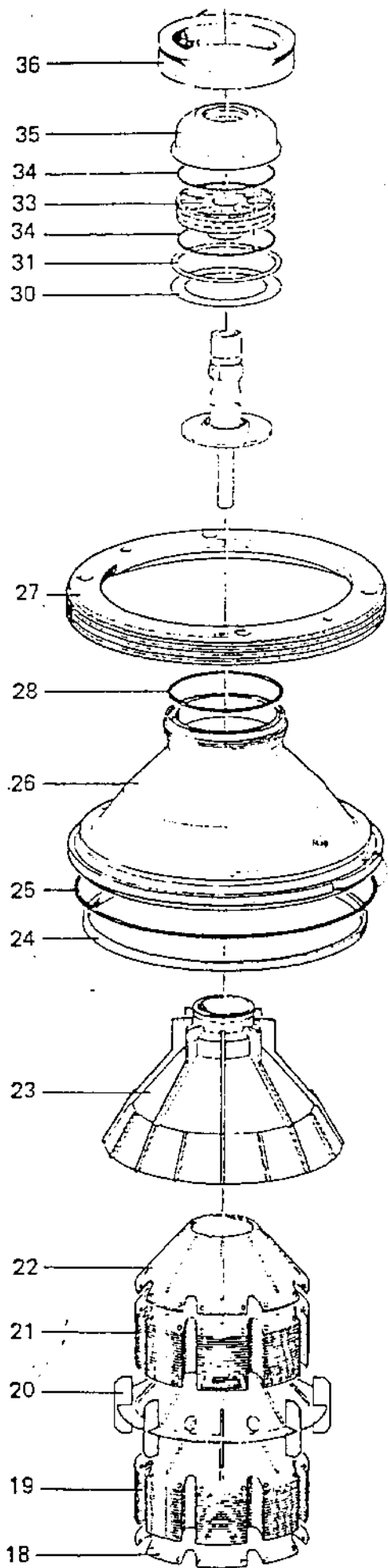




Machine type AFPX 510XGD-14CG	Machine unit description Inlet and outlet device
	Subassembly description

Page <b>200-1</b>
Fig. ref. 373A
Date 90-05

Ref.	Part No	Description	Machine unit No or Subassembly No / Qty							Notes
			548334 80							
1	548325 81	Paring disc .....	1							
2	73212	O-ring .....	1							
3	540657 02	Discharge cover .....	1							
4	223406 59	O-ring .....	1							
5	7 007492 01	Bolt and nut .....	1							
6	190616	Coupling nut .....	1							
7	190609	Rectangular ring .....	1							
8	7 007493 01	Sleeve .....	1							

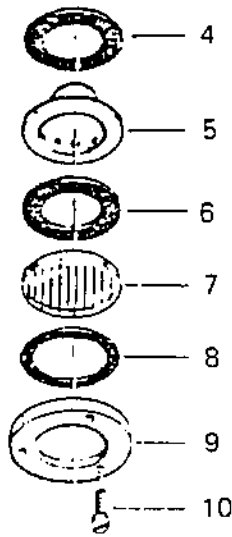


Ref.	Part No	Description	Machine unit No or Subassembly No / Qty							Notes
			548323 04							
1	540357 83	Bowl body .....	1	-	-	-	-	-	-	■
2	540320 01	Operating slide .....	1							
3	223412 56	O-ring .....	1							
4	537864 03	Valve plug .....	3							
5	71181	Spring .....	18							
6	536746 01	Spring support .....	1							
7	221716 13	Screw .....	3							
8	7 006547 02	Proportioning ring .....	1							
9	515133 02	Nozzle .....	2	-	-	-	-	-	-	∅ 2 mm
10	223412 56	O-ring .....	1							
11	221721 19	Screw .....	9							
12	520652 95	Sliding bowl bottom .....	1							
12A	532961 01	Lining .....	1							
12B	67814	O-ring .....	1							
12C	518513 01	Fixing ring .....	1							
12D	221136 05	Screw .....	6							
12E	545921 04	Sliding bowl bottom .....	1							
13	67575	Rectangular ring .....	1							
14	42154	O-ring .....	1							
15	7 005970 02	Distributing cone .....	1	-	-	-	-	-	-	■
16	548318 80	Cap nut .....	1	-	-	-	-	-	-	3)
17	543783 83	Distributor .....	1	-	-	-	-	-	-	■
18	541578 88	Bowl disc .....	1							
19	541578 87	Bowl disc .....	49							
20	532261 86	Wing insert .....	1							
21	541578 87	Bowl disc .....	55							
22	541578 87	Bowl disc .....	2	-	-	-	-	-	-	3)
23	548086 80	Top disc .....	1	-	-	-	-	-	-	■
24	71440	Seal ring .....	1							
25	67587	O-ring .....	1							
26	518701 06	Bowl hood .....	1	-	-	-	-	-	-	■
27	545890 01	Lock ring .....	1	-	-	-	-	-	-	■
28	223412 34	O-ring .....	1							
29	223406 24	O-ring .....	1							
30	548369 06	Gravity disc d=122 .....	1	-	-	-	-	-	-	3)
30	548369 07	Gravity disc d=127 .....	1							
30	548369 08	Gravity disc d=132 .....	1	-	-	-	-	-	-	3)
30	548369 09	Gravity disc d=136 .....	1	-	-	-	-	-	-	3)
31	517774 02	Gasket .....	1							
32	223406 10	O-ring .....	1							
33	548315 01	Paring chamber lower part .....	1							
34	68011	O-ring .....	2							
35	548314 02	Paring chamber cover .....	1							
36	7 005763 03	Lock ring .....	1							
37	8 701339 01	Wear protection .....	12							
38	8 701339 01	Wear protection .....	2	-	-	-	-	-	-	3)

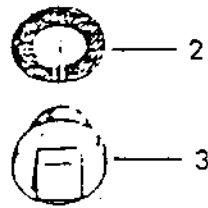
■ Utbyte nödvändigör ombalansering av kulan. Exchange necessitates rebalancing of bowl. Austausch erfordert Wiederauswuchtung der Trommel. L'échange nécessite le rééquilibrage du bol. El cambio hace necesario un nuevo equilibrado del rotor. La sostituzione comporta la riequilibratura del tamburo. A substituição exige o reequilíbrio do rotor. Vaihdettaessa kuula tasapainoitettava uudelleen.

3) Sänds separat. Sent separately. Wird separat gesandt. Envoyé séparément. Envío por separado. Inviato separatamente. Remessa separadamente. Lähetetään erikseen.

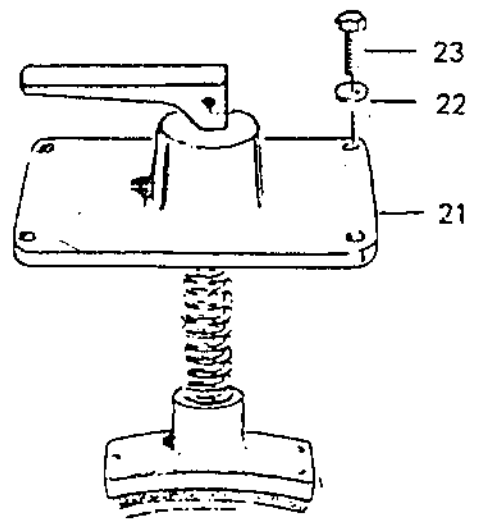
A



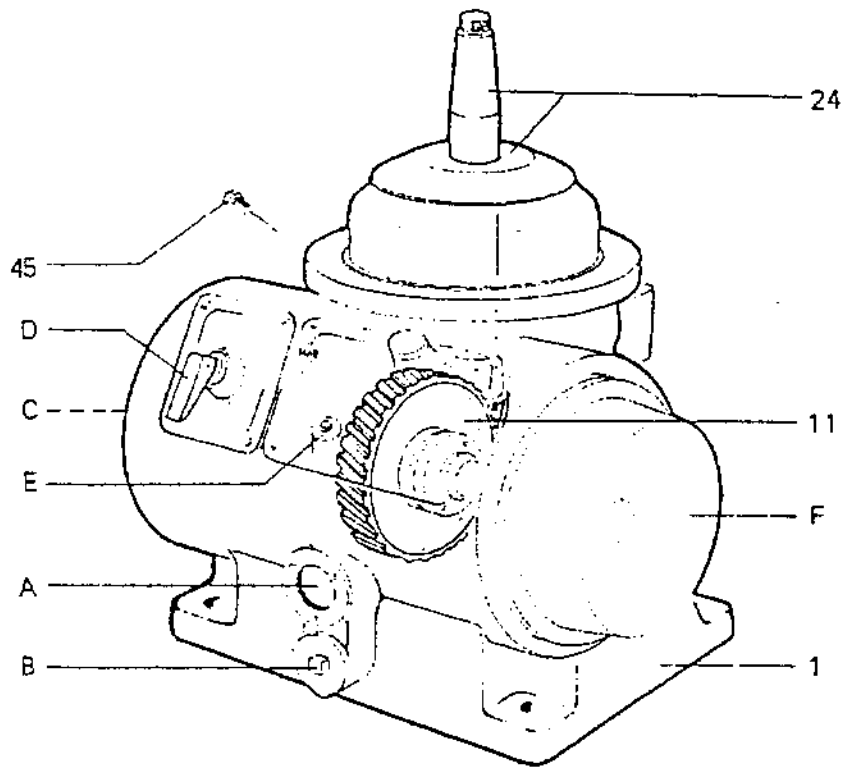
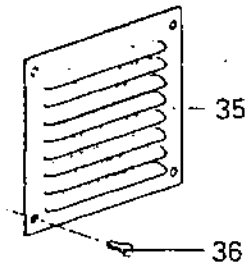
B



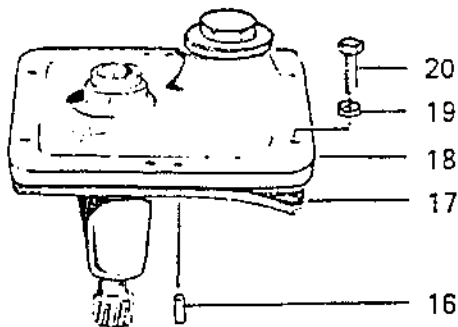
D



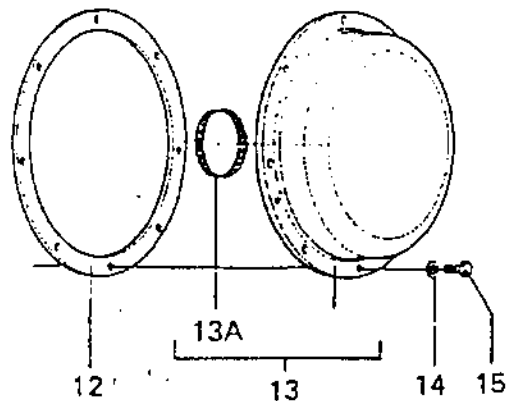
C



E



F

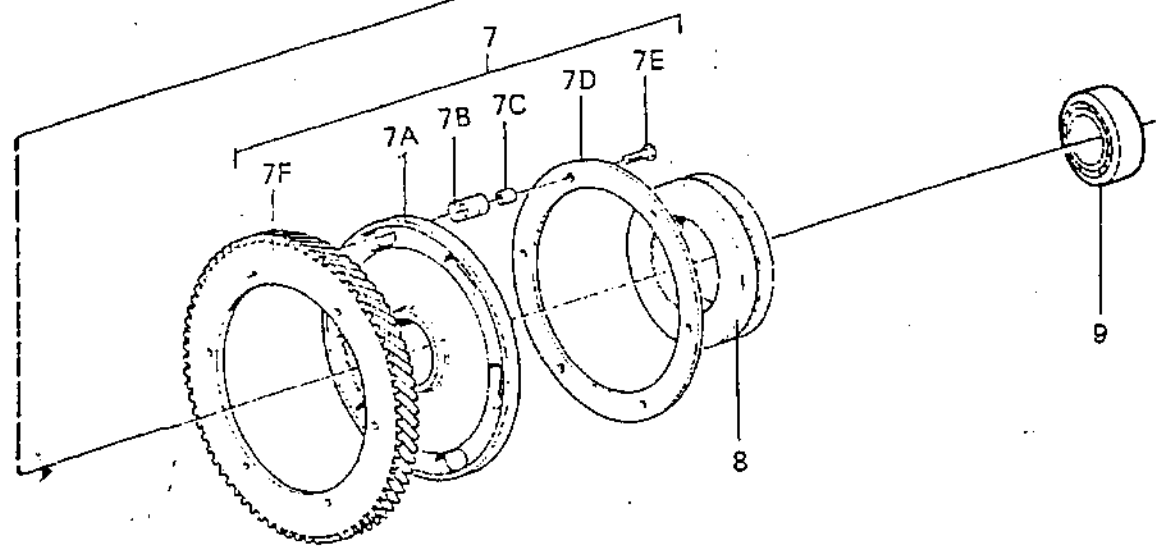
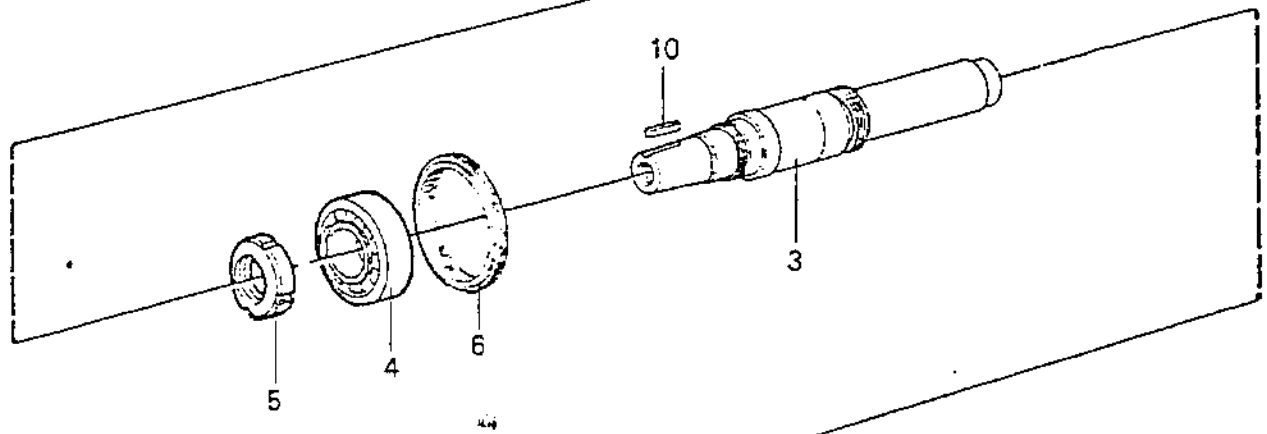
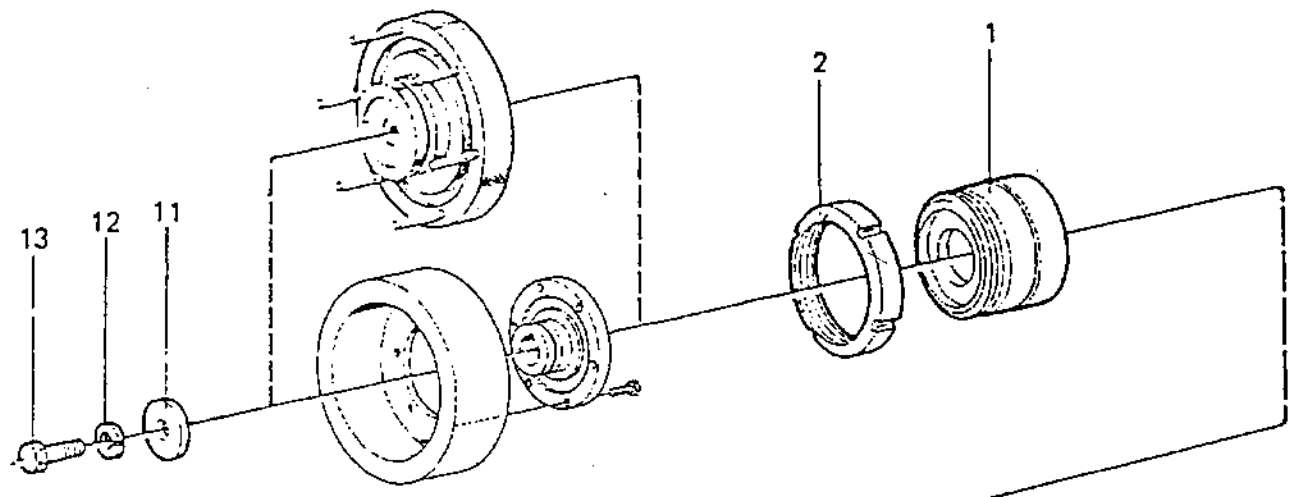


Machine type AFPX 510XGD-14CG	Machine unit description Machine bottom part
	Subassembly description

Page 400-1
Fig. ref. 329B
Date 90-05

Ref.	Part No	Description	Machine unit No or Subassembly No / Qty							Notes
			546478 07	546478 08						
1	542343 01	Frame bottom part .....	1	1						
2	35807	Gasket .....	1	1						
3	62467	Drain screw .....	1	1						
4	38967	Gasket .....	1	1						
5	61899	Screen .....	1	1						
6	38967	Gasket .....	1	1						
7	38685	Glass disc .....	1	1						
8	37167	Rectangular ring .....	1	1						
9	65457	Fixing plate .....	1	1						
10	221131 09	Screw .....	3	3						
11	546456 82	Driving device horizontal .....	1	-	-	-	-	-	-	- SEE PAGE 400-1.1
11	546456 83	Driving device horizontal .....	-	1	-	-	-	-	-	- SEE PAGE 400-1.1
12	43625	Gasket .....	1	1						
13	544615 80	Bearing shield .....	1	1						
13A	545063 03	Tolerance ring .....	1	1						
14	223101 61	Washer .....	8	8						
15	221041 01	Screw .....	8	8						
16	222111 95	Cylindrical pin .....	2	2						
17	65220	Gasket .....	1	1						
18	544017 80	Worm wheel guard .....	1	1	-	-	-	-	-	- SEE PAGE 400-1.2
19	223101 61	Washer .....	6	6						
20	221041 01	Screw .....	6	6						
21	544791 80	Guard .....	1	1	-	-	-	-	-	- SEE PAGE 400-1.3
22	223101 61	Washer .....	4	4						
23	221041 01	Screw .....	4	4						
24	546438 89	Driving device vertical .....	1	-	-	-	-	-	-	- 2) SEE PAGE 400-1.4
24	546438 90	Driving device vertical .....	-	1	-	-	-	-	-	- 2) SEE PAGE 400-1.4
35	70700	Grating .....	1	1						
36	221131 03	Screw .....	4	4						
45	221041 22	Screw .....	1	1						

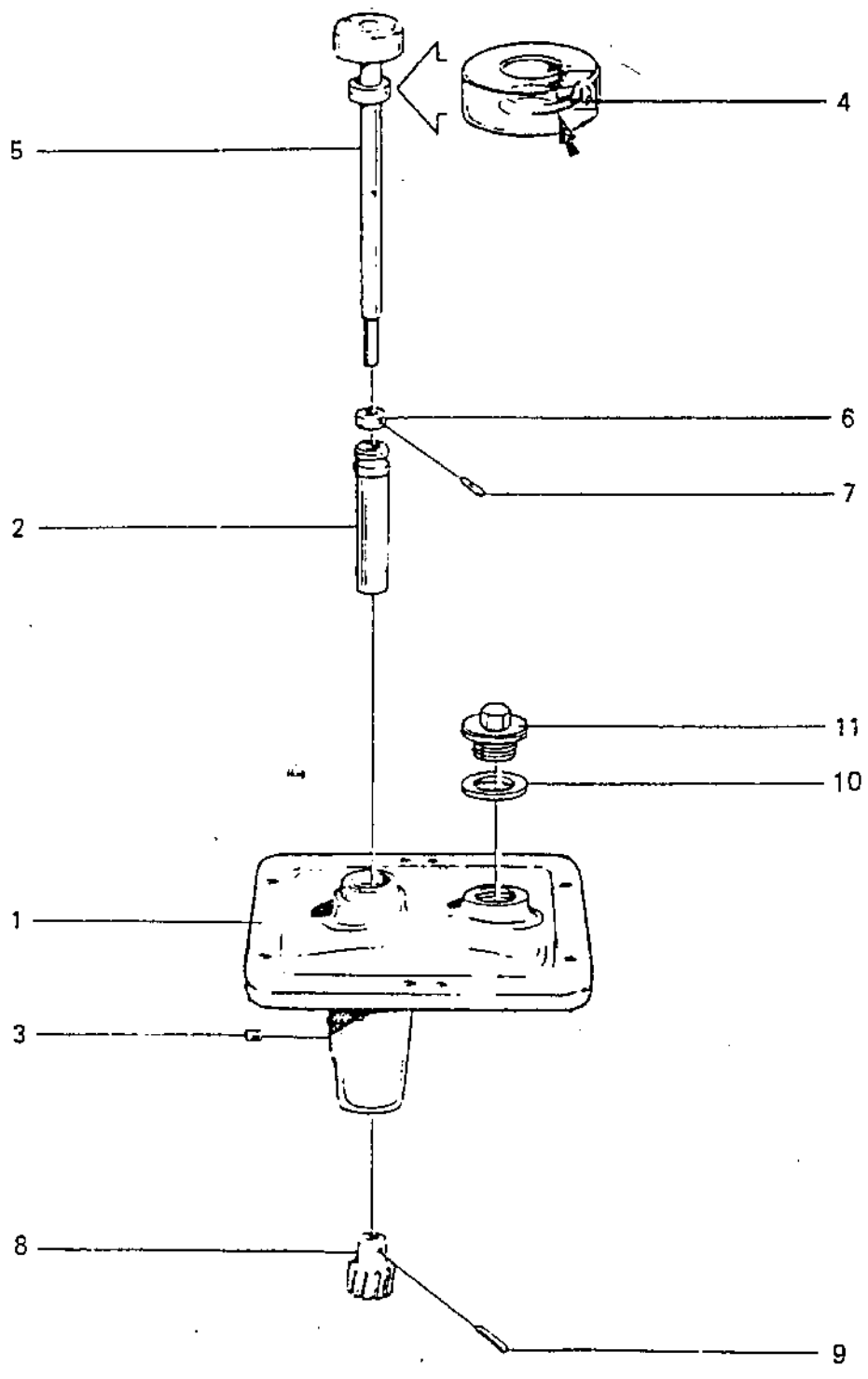
2) Levereras ej som reservdel. Not delivered as spare part. Nicht als Ersatzteil geliefert.  
 Non livré comme pièce de rechange. No se entrega como pieza de recambio. Non fornito  
 come parte di ricambio. Não entrega - se como peça sobressalente. Ei toimiteta  
 varaosana.



Machine type AFPX 510XGD-14CG	Machine unit description Machine bottom part
	Subassembly description Driving device horizontal

Page 400-1.1
Fig. ref. 85F
Date 90-05

Ref.	Part No	Description	Machine unit No or Subassembly No / Qty							Notes
			546456 82	546456 83						
1	544787 01	Bearing housing .....	1	1						
2	544320 01	Round nut .....	1	1						
3	546424 80	Worm wheel shaft .....	1	1						
4	233211 94	Ball bearing .....	1	1						
5	67478	Round nut .....	1	1						
6	544789 01	Lock ring .....	1	1						
7	545803 82	Worm wheel .....	1	-	-	-	-	-	-	50 Hz
7	545803 83	Worm wheel .....	-	1	-	-	-	-	-	60 Hz
7A	545705 02	.Nave .....	1	1						
7B	545704 01	.Buffer .....	6	6						
7C	545703 01	.Sleeve .....	6	6						
7D	545706 01	.Ring .....	1	1						
7E	221036 20	.Screw .....	6	6						
7F	545725 04	.Gear rim .....	1							
7F	545725 05	.Gear rim .....	-	1						
8	541988 01	Clamp element .....	1	1						
9	8379	Ball bearing .....	1	1						
10	223610 32	Flat key .....	1	1						
11	541991 01	Washer .....	1	1						
12	223107 28	Spring washer .....	1	1						
13	260001 39	Screw .....	1	1						



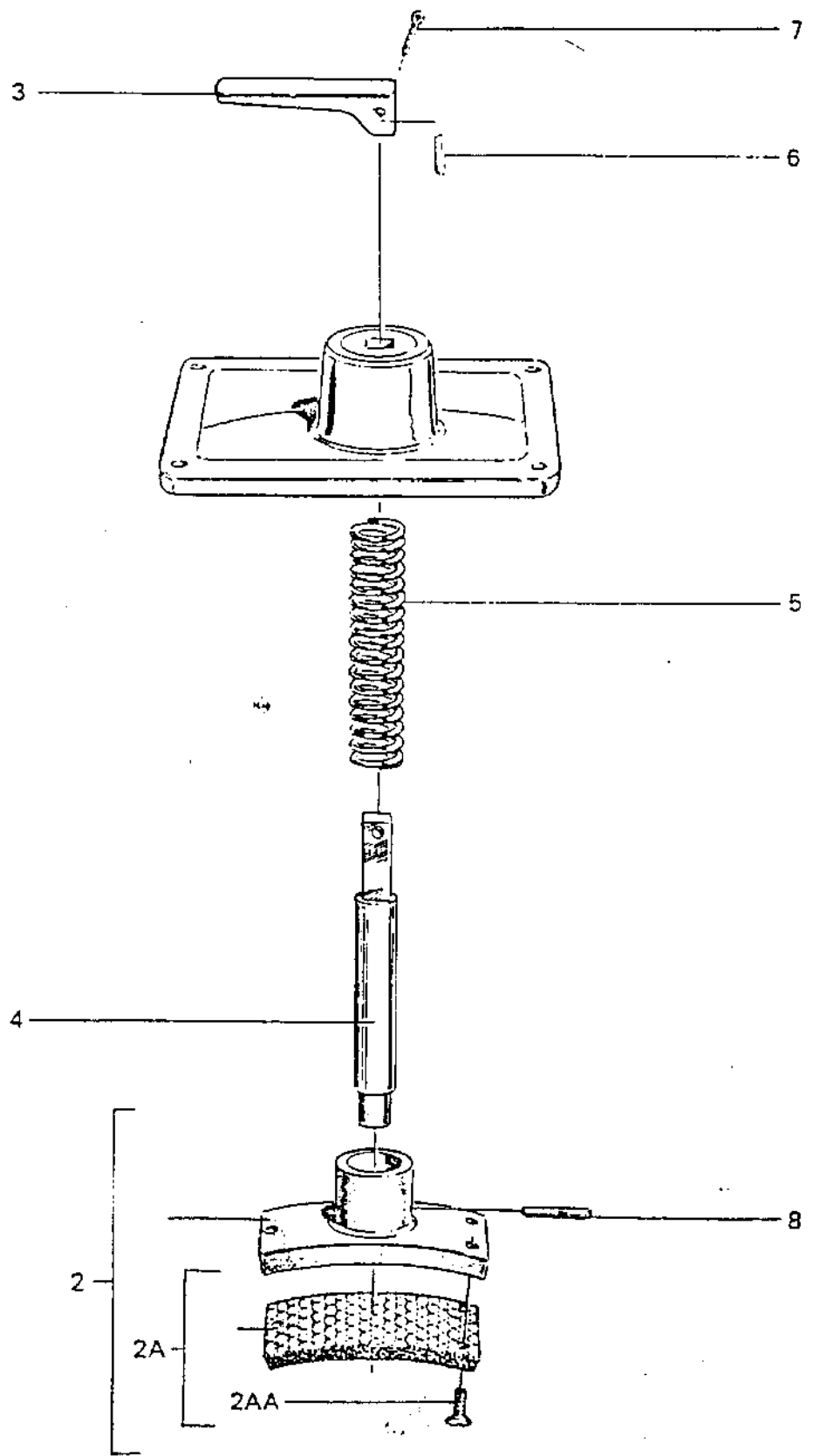
0613A



Machine type AFPX 510XGD-14CG	Machine unit description Machine bottom part
	Subassembly description Worm wheel guard

Page <b>400-1.2</b>
Fig. ref. 613A
Date 90-05

Ref.	Part No	Description	Machine unit No or Subassembly No / Qty							Notes
			544017 80							
1	543996 02	Worm wheel guard .....	1							
2	70321	Bushing .....	1							
3	221581 06	Stop screw .....	1							
4	38710	Seal ring .....	1							
5	69209	Revolution counter shaft .....	1							
6	69211	Stop ring .....	1							
7	69212	Slotted pin .....	1							
8	69214	Gear wheel .....	1							
9	69226	Taper pin .....	1							
10	38324	Gasket .....	1							
11	526686 02	Plug .....	1							



Machine type

Machine unit description

Page

AFPX 510XGD-14CG

Machine bottom part

400-1.3

Fig. ref.

599A

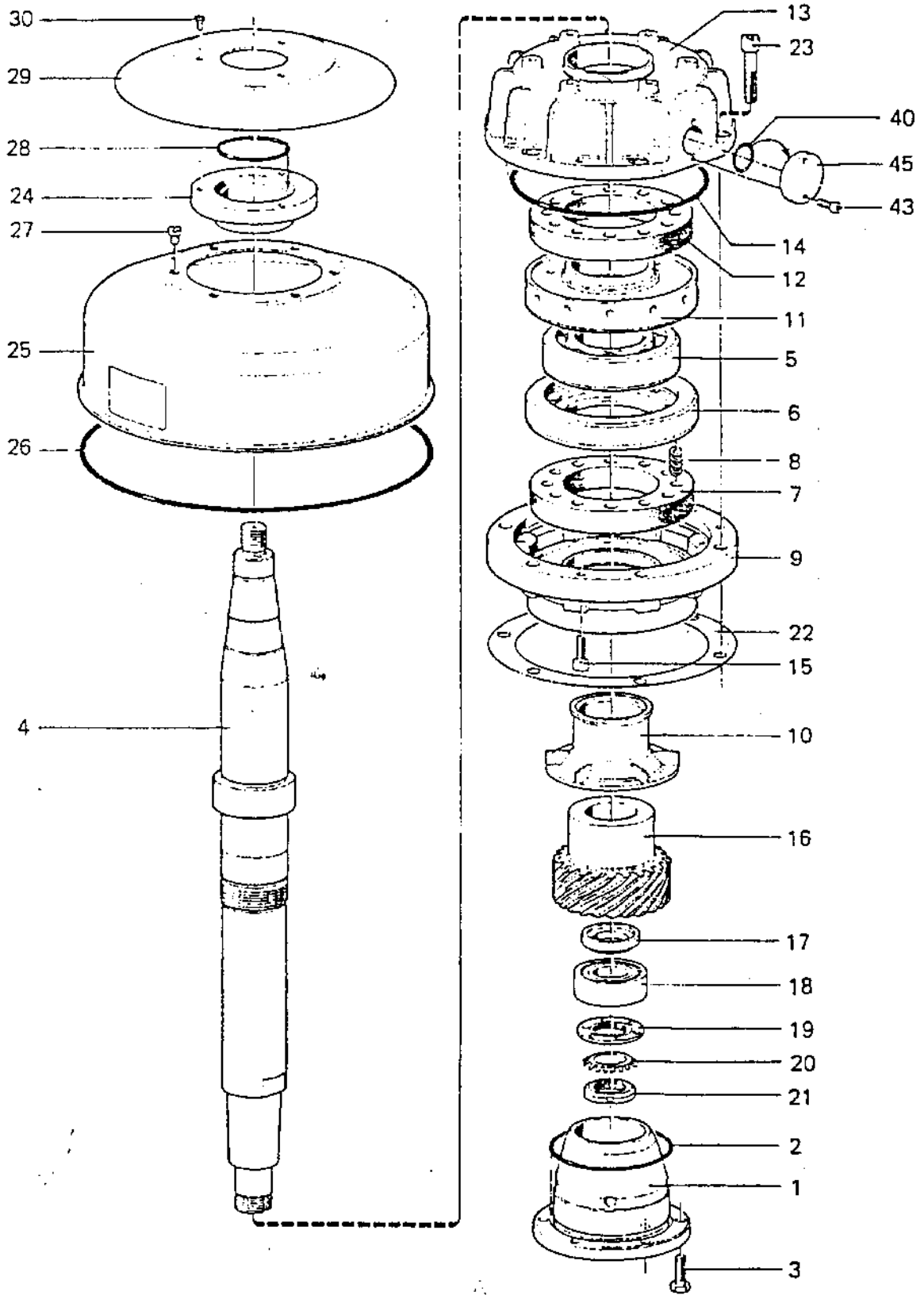
Date

90-05

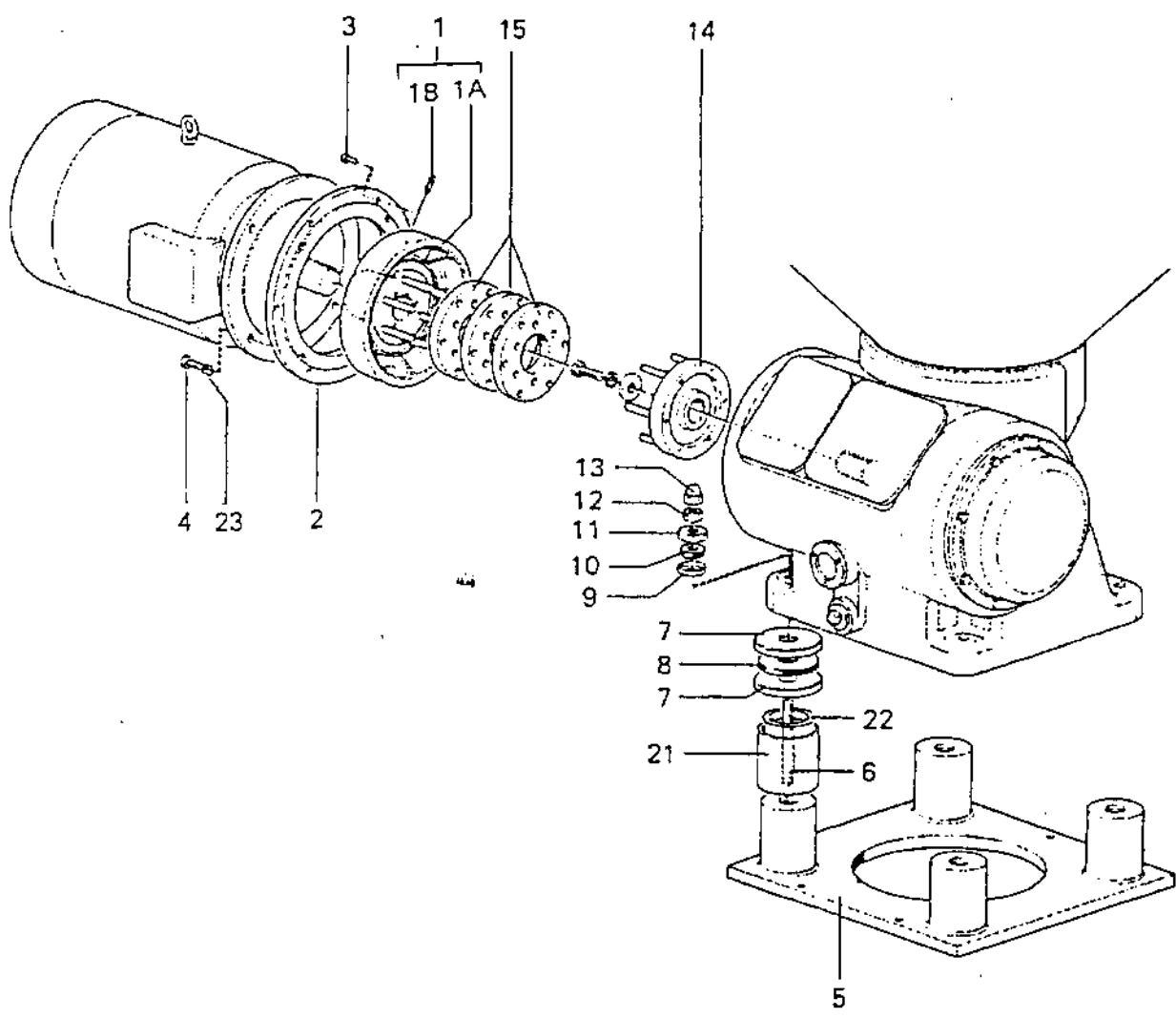
Subassembly description

Guard

Ref.	Part No	Description	Machine unit No or Subassembly No / Qty							Notes
			544791 80							
2	537602 85	Brake shoe .....	1							
2A	310637 84	Friction pad .....	1							
2AA	8341	Screw .....	3							
3	546791 02	Handle .....	1							
4	65461	Spindle .....	1							
5	70695	Spring .....	1							
6	39098	Cylindrical pin .....	1							
7	8199	Split pin .....	1							
8	67960	Slotted pin .....	1							



Ref.	Part No	Description	Machine unit No or Subassembly No / Qty						Notes
			546438 89	546438 90					
1	542509 02	Bottom bearing housing .....	1	1					
2	38411	O-ring .....	1	1					
3	221041 01	Screw .....	6	6					
4	546405 01	Bowl spindle .....	1	1					
5	548747 04	Ball bearing .....	1	1					
6	542548 02	Ball bearing holder .....	1	1					
7	542633 01	Rubber buffer .....	1	1					
8	260083 44	Compression spring .....	12	12					
9	542511 02	Top bearing support .....	1	1					
10	542510 02	Oil fan .....	1	1					
11	542549 02	Ball bearing holder upper .....	1	1					
12	542633 01	Rubber buffer .....	1	1					
13	542512 02	Top bearing cover .....	1	1					
14	223412 41	O-ring .....	1	1					
15	221716 04	Screw .....	3	3					
16	544242 07	Worm .....	1	-	-	-	-	-	50 Hz
16	544242 09	Worm .....	-	1	-	-	-	-	50 Hz
17	545638 01	Support washer .....	1	1					
18	548744 01	Roller bearing .....	1	1					
19	542547 01	Spacing washer .....	1	1					
20	38706	Lock washer .....	1	1					
21	67474	Round nut .....	1	1					
22	543204 01	Gasket .....	1	1					
23	221726 06	Screw .....	6	6					
24	543058 02	Protecting collar .....	1	1					
25	526196 02	Guard .....	1	1					
26	71350	Rectangular ring .....	1	1					
27	221136 01	Screw .....	6	6					
28	223412 16	O-ring .....	1	1					
29	526198 02	Protecting plate .....	1	1					
30	260254 02	Screw .....	3	3					
40	74067	O-ring .....	1	1					
43	221711 02	Screw .....	2	2					
45	546136 01	Washer .....	1	1					

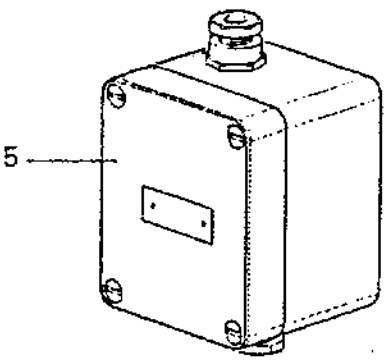
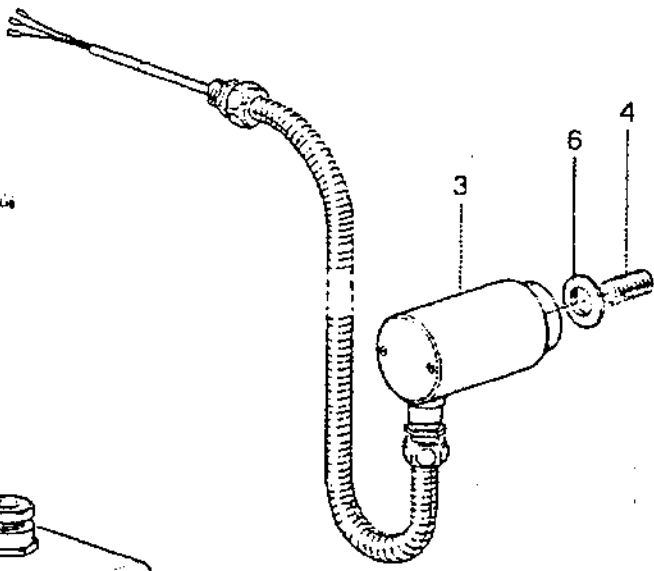
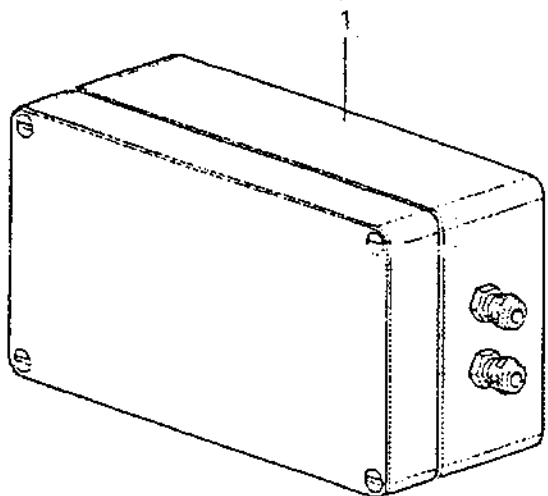


Machine type AFPX 510XGD-14CG	Machine unit description Parts for motor mounting
	Subassembly description

Page 500-1
Fig. ref. 635A
Date 90-05

Ref.	Part No	Description	Machine unit No or Subassembly No / Qty							Notes
			545420	81						
1	545418 80	Brake pulley .....	1							
1A	545418 01	Brake pulley .....	1							
1a	221581 74	Screw .....	1							
2	545386 01	Motor adapter .....	1							
3	221726 10	Screw .....	6							
4	2 210462 44	Screw .....	4							
5	520585 86	Foundation plate .....	1	-	-	-	-	-	-	3)
6	260213 28	Stud bolt .....	4	-	-	-	-	-	-	3)
7	544741 01	Cap .....	8	-	-	-	-	-	-	3)
8	223434 05	Rectangular ring .....	4	-	-	-	-	-	-	3)
9	531219 02	Cap lower .....	4	-	-	-	-	-	-	3)
10	65235	Rectangular ring .....	4	-	-	-	-	-	-	3)
11	411987 01	Cap upper .....	4	-	-	-	-	-	-	3)
12	221803 23	Nut .....	4	-	-	-	-	-	-	3)
13	221851 17	Hexagon domed cap nut .....	4	-	-	-	-	-	-	3)
14	544783 80	Coupling disc .....	1							
15	60571	Elastic plate .....	3							
21	518577 03	Spacing tube .....	4	-	-	-	-	-	-	3)
22	785332 03	Adjusting washer .....	24	-	-	-	-	-	-	3)
23	66727	Spring washer .....	4							

3) Sänds separat. Sent separately. Wird separat gesandt. Envoyé séparément.  
Envío por separado. Inviato separatamente. Remessa separadamente. Lähetetään erikseen.

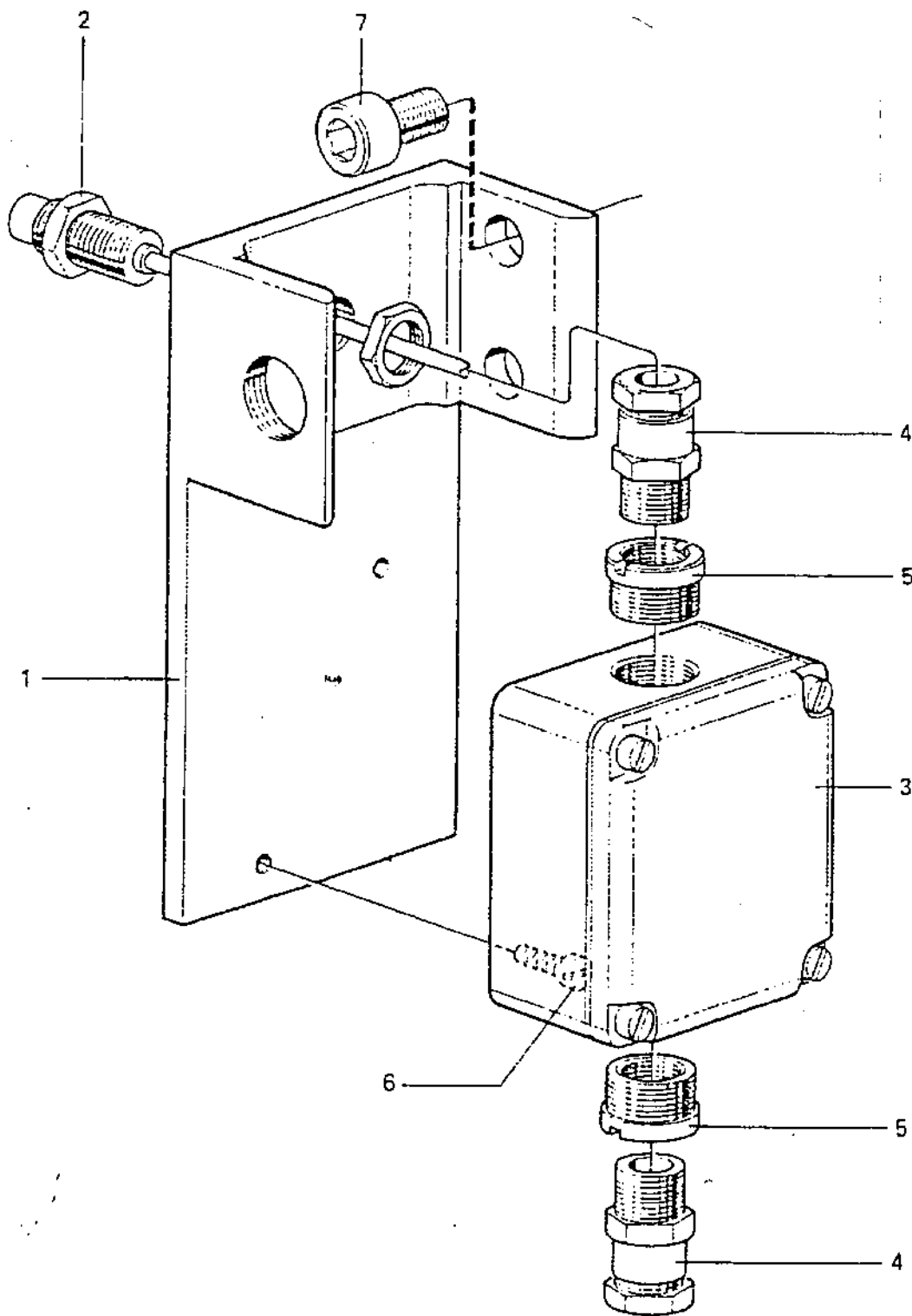




Machine type AFPX 510XGD-14CG	Machine unit description Vibration monitoring unit
	Subassembly description

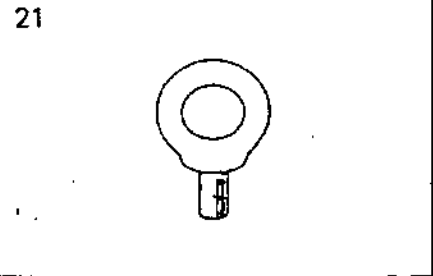
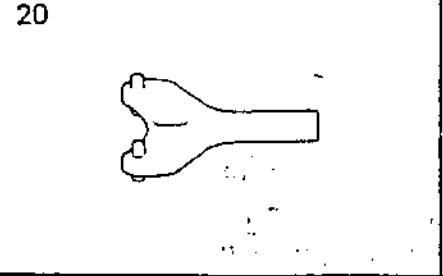
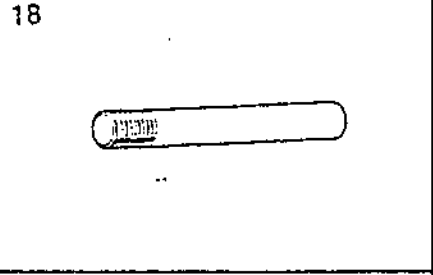
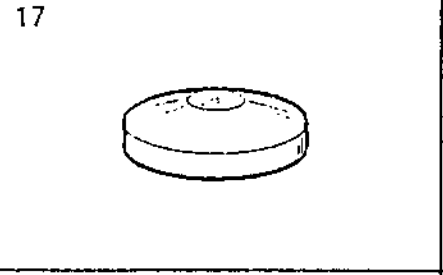
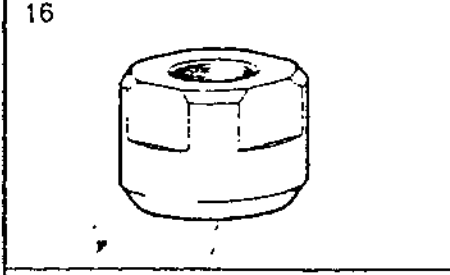
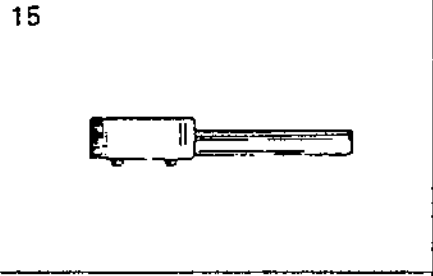
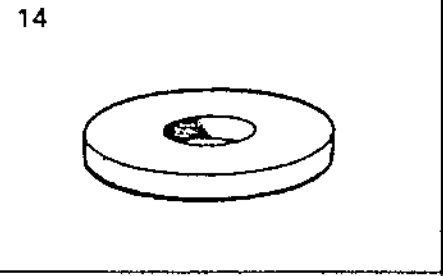
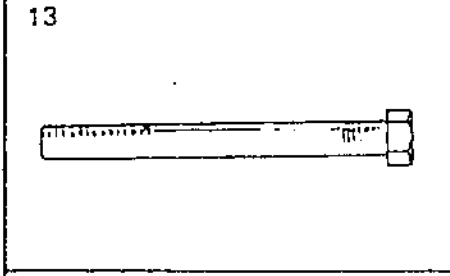
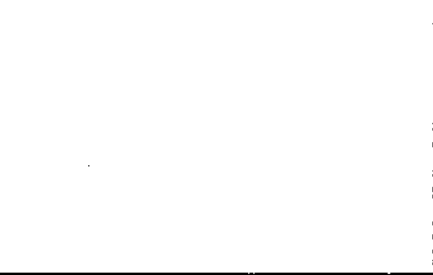
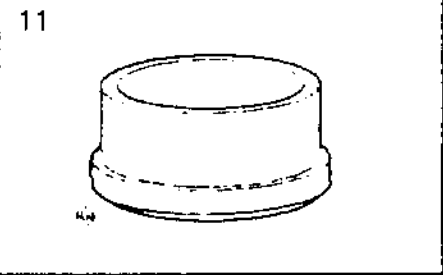
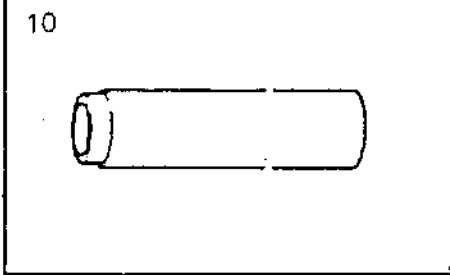
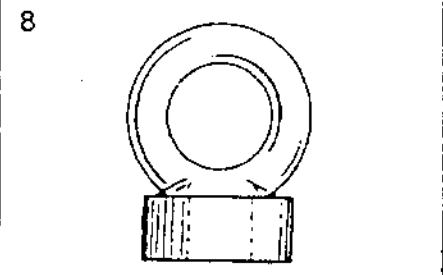
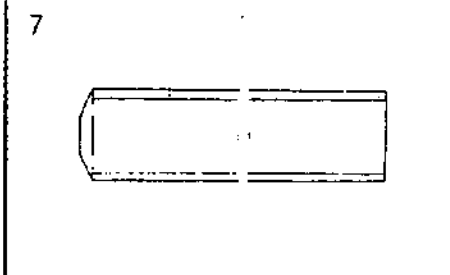
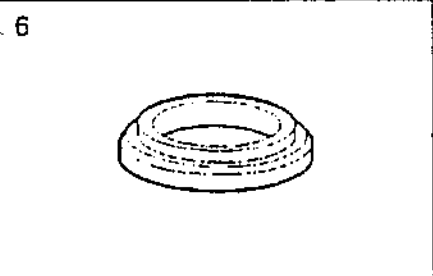
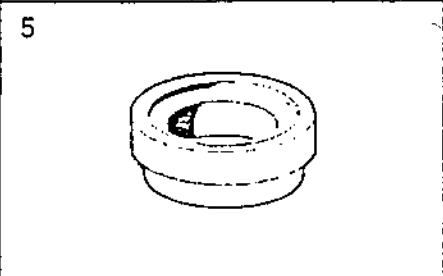
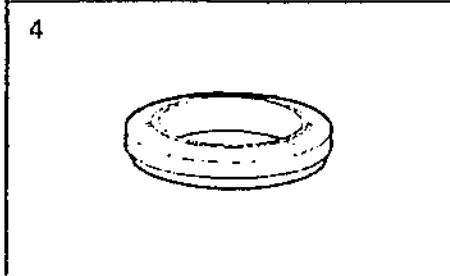
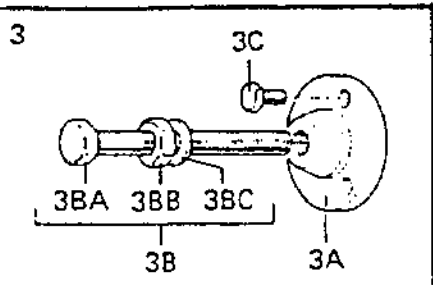
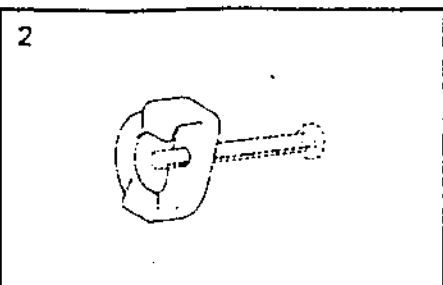
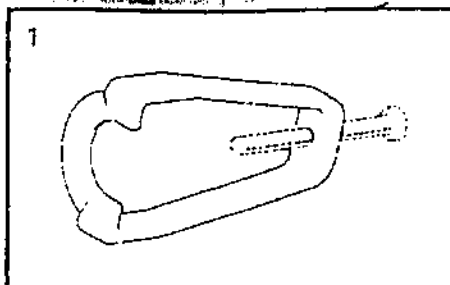
Page <b>600-1</b>
Fig. ref. 916A
Date 90-05

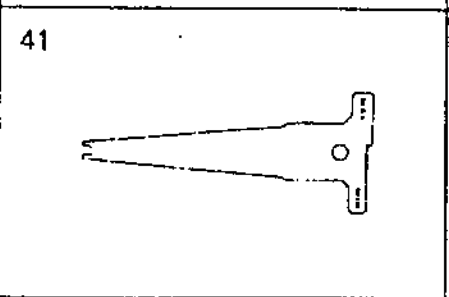
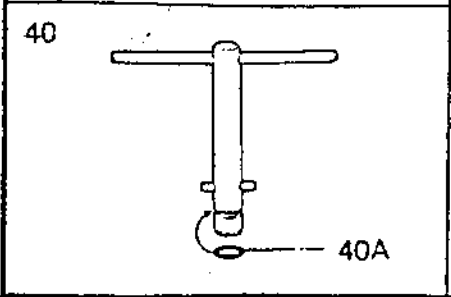
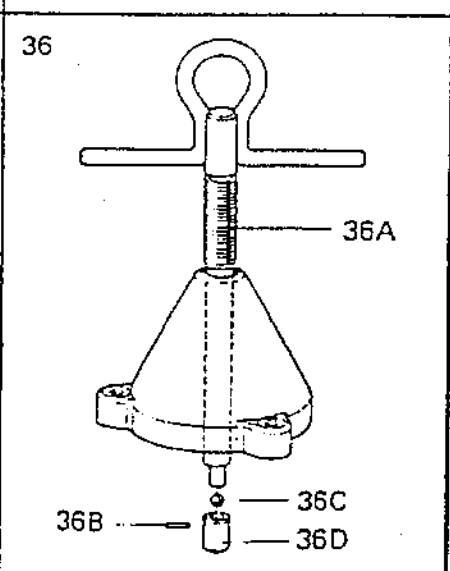
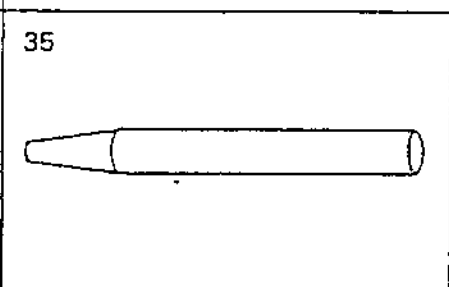
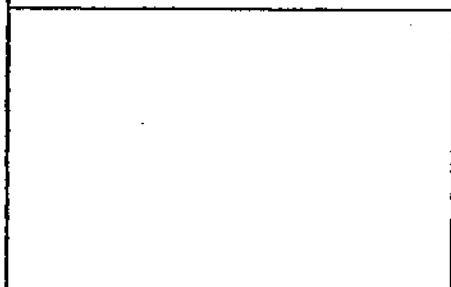
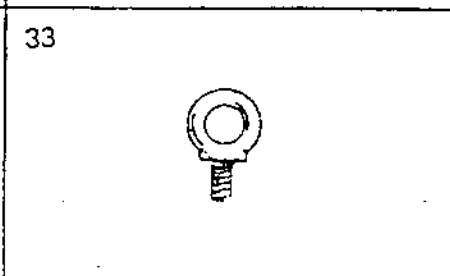
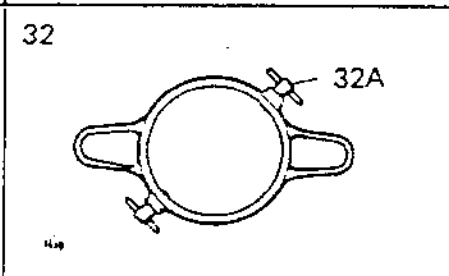
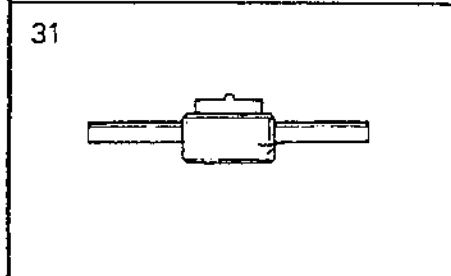
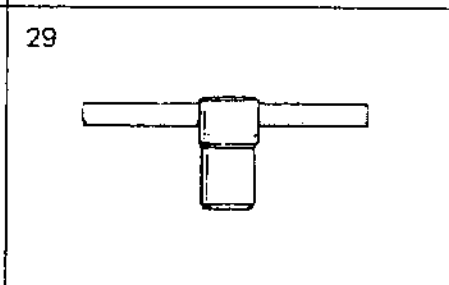
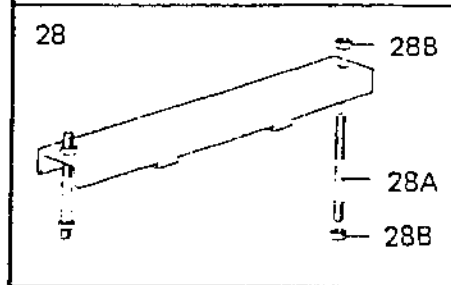
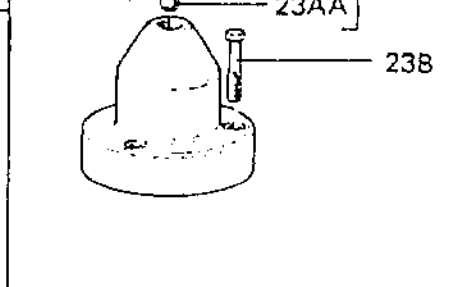
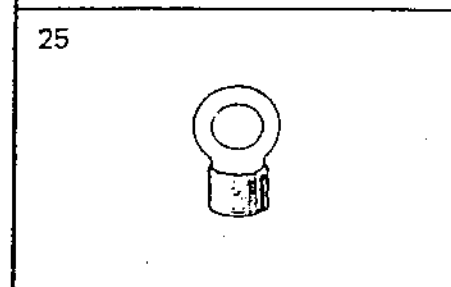
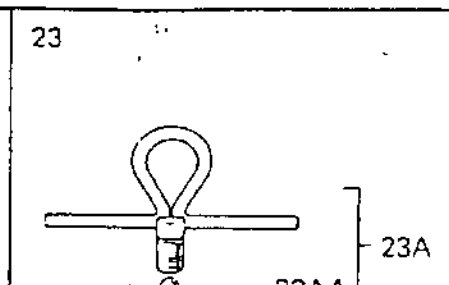
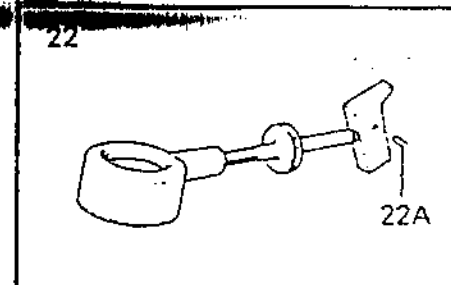
Ref.	Part No	Description	Machine unit No or Subassembly No / Qty						Notes
			552138 81						
1	552138 01	Vibration monitoring unit .....	1						
3	552158 01	Vibration transducer .....	1						
4	260080 15	Screw .....	1						
5	552191 01	Junctionbox .....	1						
6	223132 04	Washer .....	2						






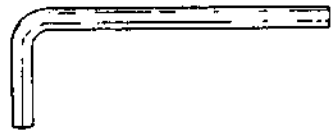


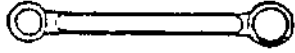
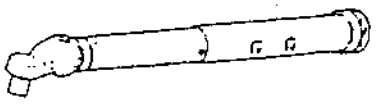

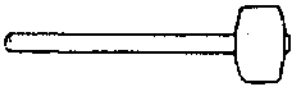
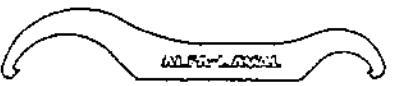

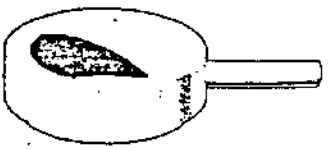
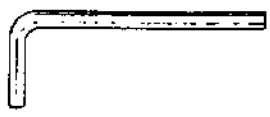


0724B







43 	44 	45 
46 	47 	48 
49 	50 	51 
52 	53 	54 
55 	56 	
58 	59 	

AFPX 510XGD-14CG	Set of tools
	Subassembly description

Fig. ref. 652A + +
Date 90-05

Ref.	Part No	Description	Machine unit No or Subassembly No / Qty							Notes
			546501 04							
1	544302 02	Puller .....	1							
2	544265 02	Puller .....	1							
3	543553 80	Dismounting tool .....	1							
3A	543554 01	.Washer .....	1							
3B	537464 84	.Mounting tool .....	1							
3BA	260001 42	..Screw .....	1							
3BB	544275 01	..Nut .....	1							
3BC	223101 52	..Washer .....	1							
3C	221045 09	..Screw .....	3	-	-	-	-	-	-	L=30mm
4	543551 01	Ring .....	1							
5	544261 01	Ring .....	1							
6	543550 01	Ring .....	1							
7	531296 81	Driving-off tool .....	1							
8	68996	Lifting eye .....	1							
10	544690 01	Tube .....	1							
11	544702 01	Sleeve .....	1							
13	260001 43	Screw .....	1	-	-	-	-	-	-	L=260mm
14	537441 01	Washer .....	1							
15	537707 80	Pin spanner .....	1							
16	544691 01	Mounting tool .....	1							
17	543552 01	Mounting tool .....	1							
18	546547 01	Screw .....	2							
20	543346 01	Spanner .....	1							
21	545935 01	Lifting eye bolt .....	2	-	-	-	-	-	-	M16
22	74375	Mounting tool .....	1							
22A	74231	.Cylindrical pin .....	1							
23	524301 81	Lifting tool .....	1							
23A	520555 80	.Spindle .....	1							
23AA	22451	..Ball .....	1							
23B	536889 01	.Screw .....	3							
25	545578 81	Lifting tool f.distribut. ....	1							
28	7 007539 80	Puller tool .....	1							
28A	7 005785 02	.Screw .....	2							
28B	35120	.Nut .....	4							
29	519219 80	Lifting tool .....	1							
31	516774 80	Pin spanner lifting tool .....	1							
32	519226 80	Spanner .....	1							
32A	65370	.Clamp screw .....	2							
33	260154 01	Lifting eye bolt .....	2	-	-	-	-	-	-	M10
35	532611 02	Lock pin .....	1							
36	519216 87	Lifting tool .....	1							
36A	70998	.Spindle .....	1							
36B	72351	.Slotted pin .....	1							
36C	63730	.Ball .....	1							
36D	72160	.Guide pin .....	1							
37	71194	Driving-out pin .....	1							
40	7 006871 80	Spanner for inlet pipe .....	1							
40A	7 002017 10	.O-ring .....	1							
41	536931 01	Templet .....	1							
43	72244	Extension rod .....	1	-	-	-	-	-	-	L = 255 mm
44	75420	Socket for socket spanner .....	1	-	-	-	-	-	-	13 mm
45	527353 04	Socket wrench sleeve .....	1	-	-	-	-	-	-	17 mm
46	527353 16	Socket for socket spanner .....	1	-	-	-	-	-	-	19 mm
47	527353 09	Socket wrench sleeve .....	1	-	-	-	-	-	-	30 mm

