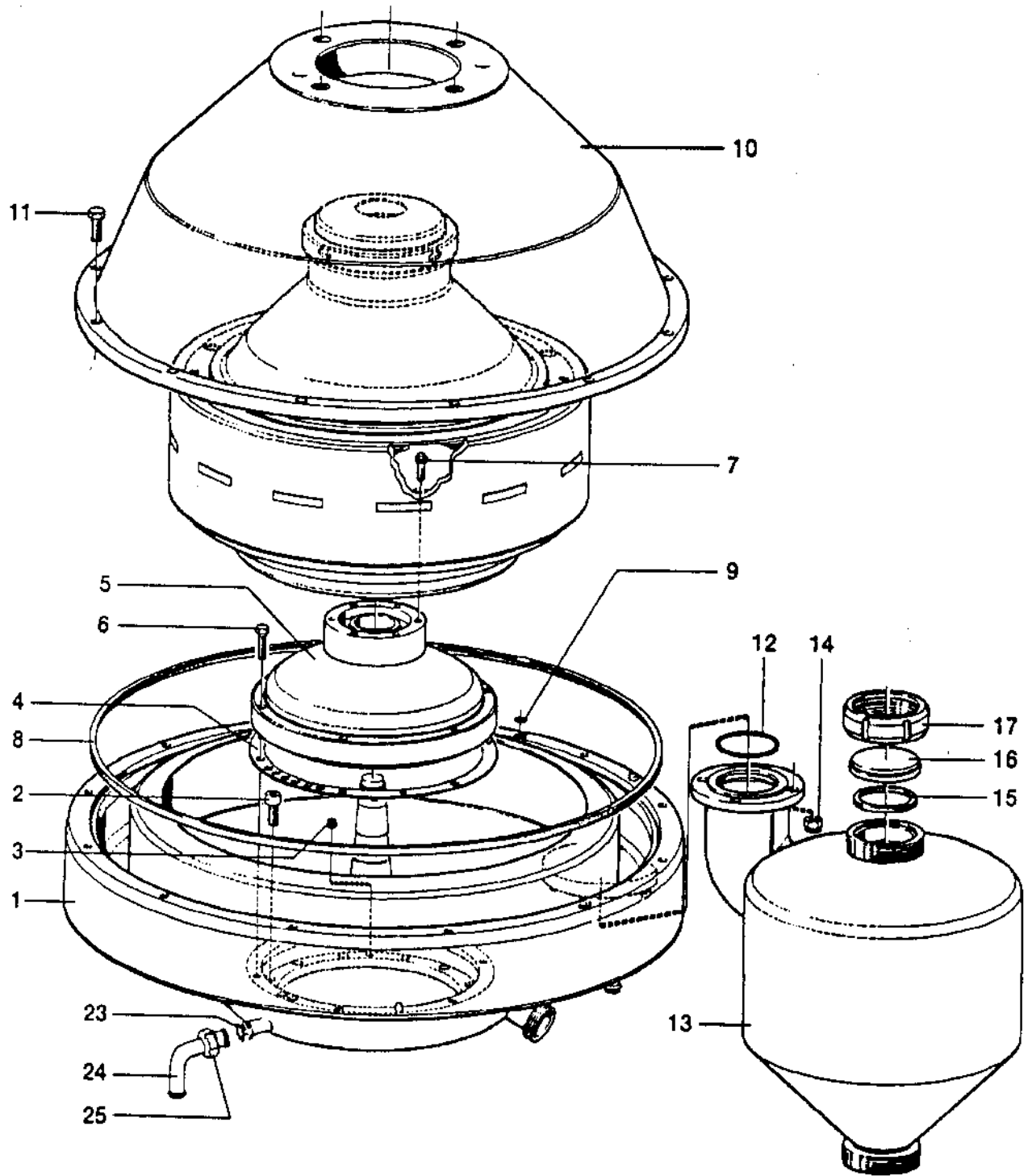


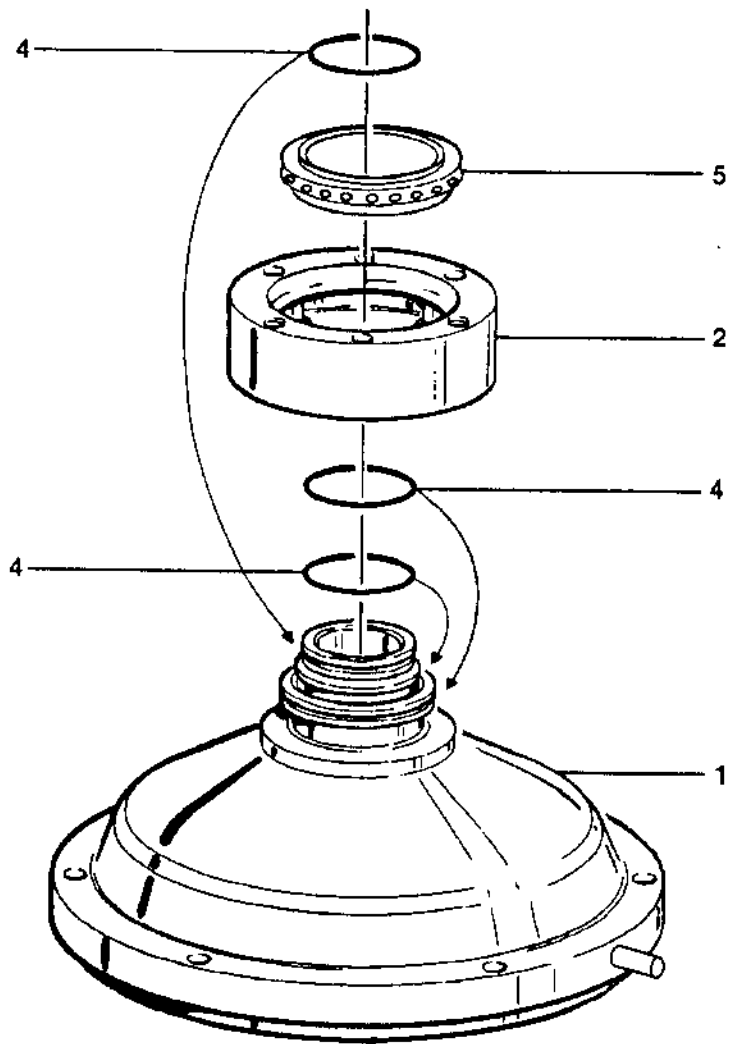
## **Hutchison-Hayes Separators, Inc.**

### **Model C/W/HMRPX-518 HGV Parts List With Diagrams**

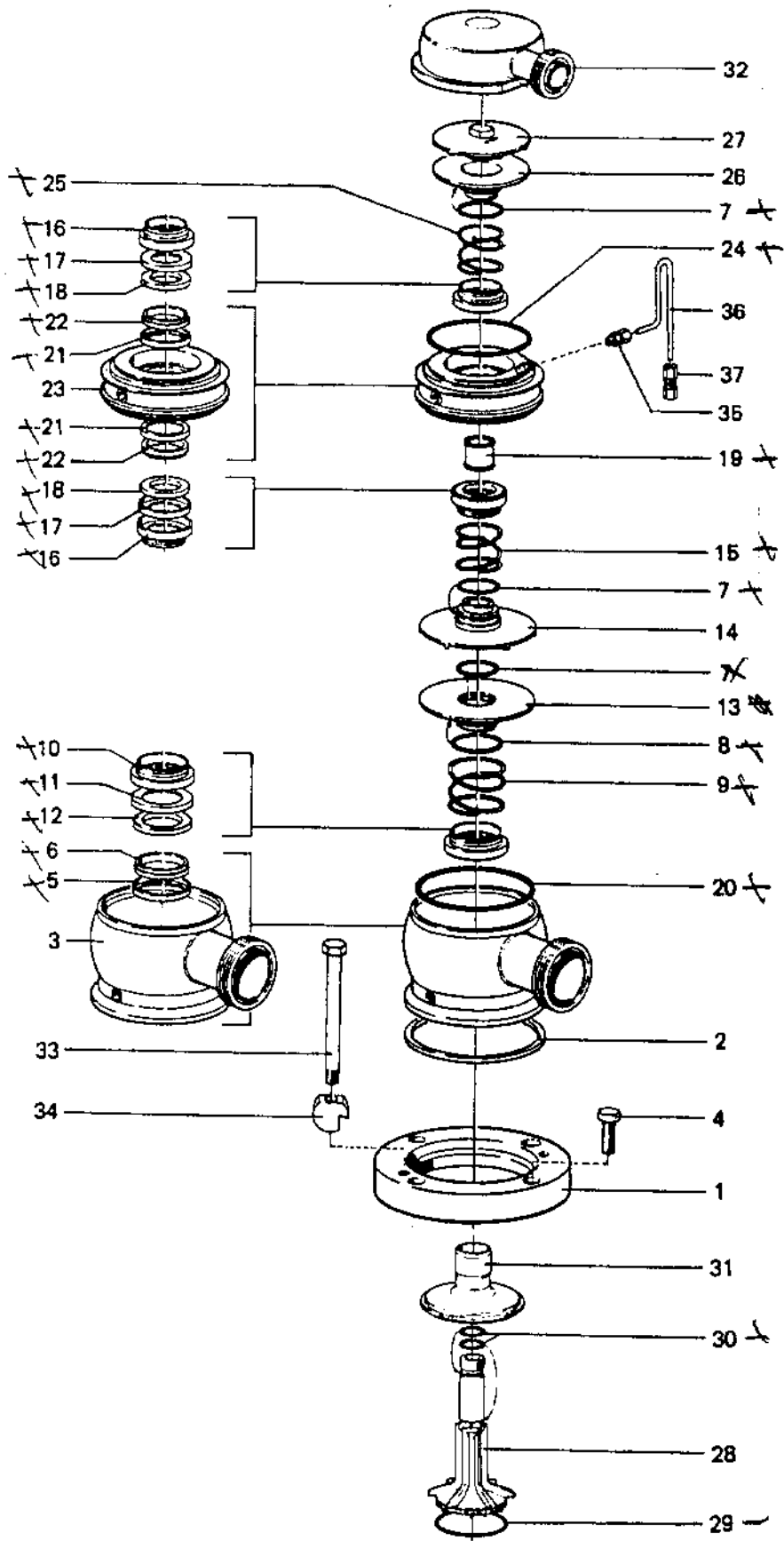
**P.O. Box 2965 ♦ Houston, Texas 77252**  
**3520 East Belt ♦ Houston, Texas 77015**  
**(713) 455-9600 ♦ Fax (713) 455-7753**



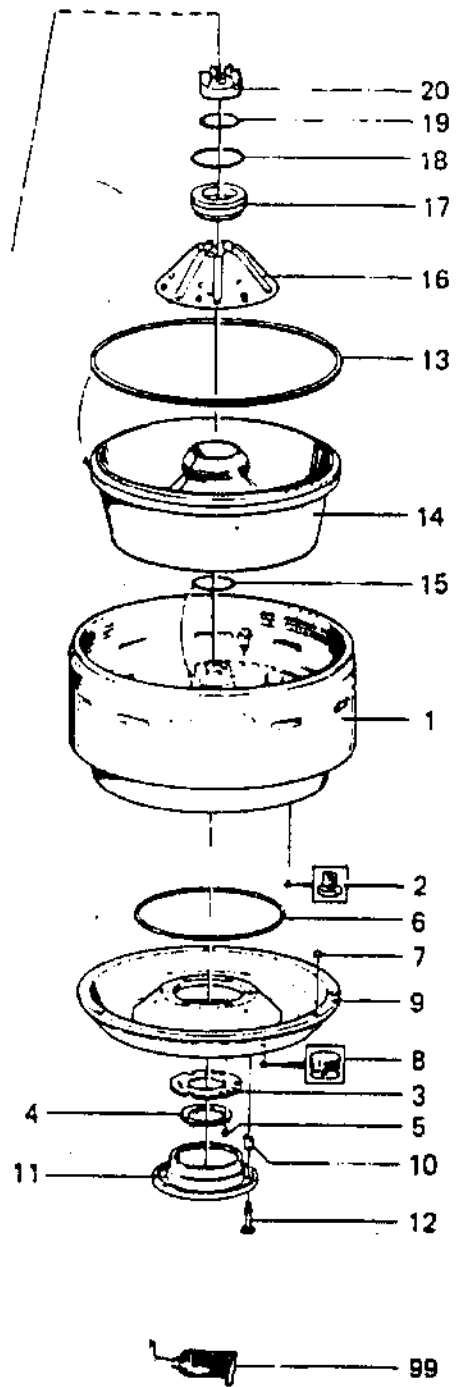
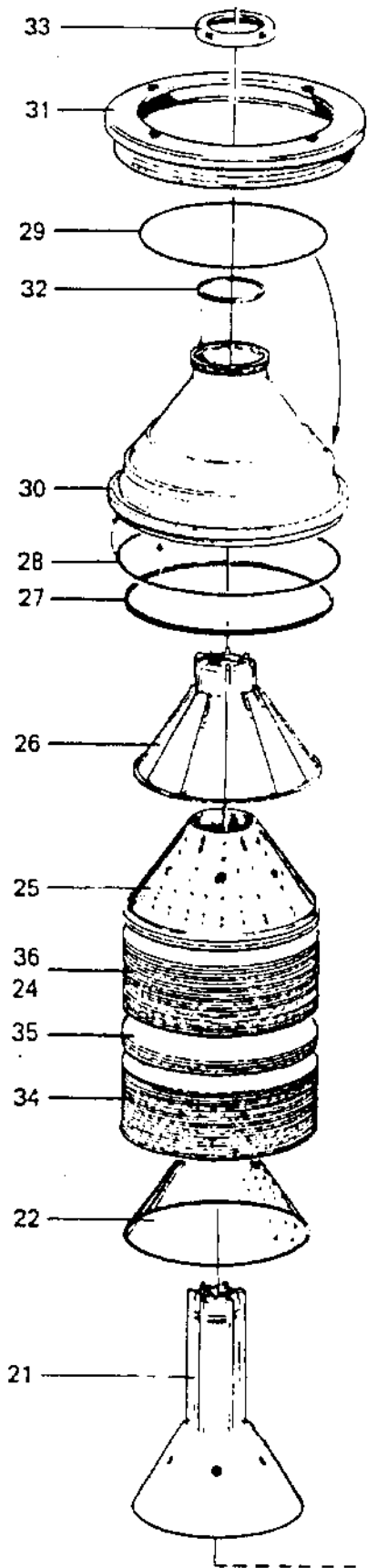
Reference	Hutchison-Hayes Part No.	OEM Part No.	Description	Quantity	Notes
1	20962	545778-81	Frame top part .....	1	
2	12461	221731-08	Screw .....	12	
3	13331	260080-36	Stop Screw .....	3	
4	6748	539244-02	Height Adjusting Ring .....	5	
5	16989	528249-85	Paring Disc Device .....	1	
6	12227	221046-04	Screw .....	6	
7	20846	545633-01	Screw .....	3	
8	20708	545318-01	Seal Strip .....	1	
9	12820	223406-25	O-Ring .....	1	
10	"	546540-80	Frame Hood .....	1	
11	12249	2 210463-23	Screw .....	12	
12	13643	31317-0886-1	Rectangular Ring .....	1	
13	19892	542991-03	Cyclone .....	1	
14	12538	221891-17	Lock Nut .....	4	
15	13643	31317-0886-1	Rectangular Ring .....	1	
16	13625	31317-0334-1	Washer .....	1	
17	13640	31317-0884-1	Coupling Nut .....	1	
23	8305	190601	Rectangular Ring .....	1	
24	12117	191603	Hose Liner .....	1	
25	7694	190613	Coupling Nut .....	1	



Reference	Hutchison-Hayes Part No.	OEM Part No.	Description	Quantity	Notes
1	18804	539242-81	Distributing Cover .....	1	
2	16904	528094-83	Distributing Ring .....	1	
4	8180	74634	O-Ring .....	3	
5	20369	544326-01	Control Paring Disc .....	1	

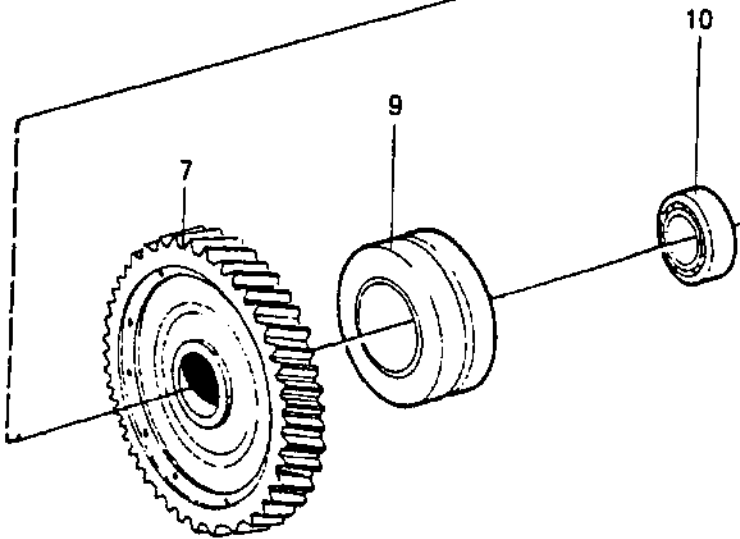
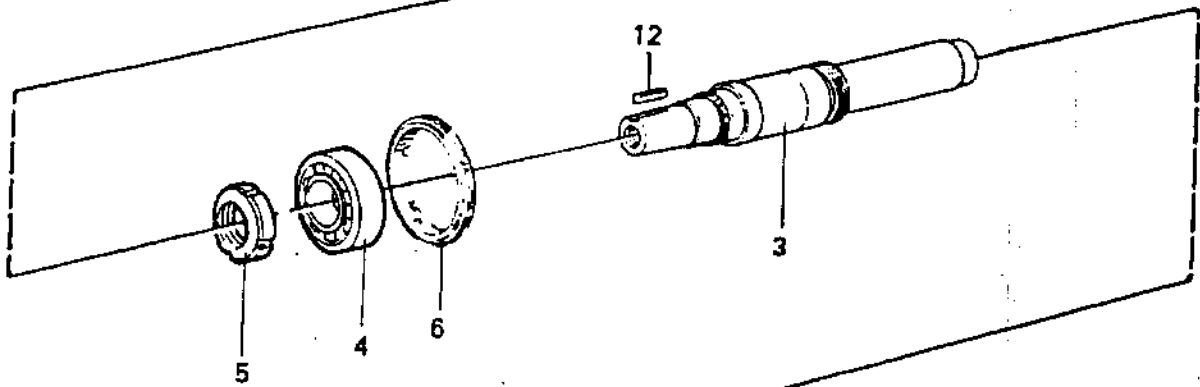
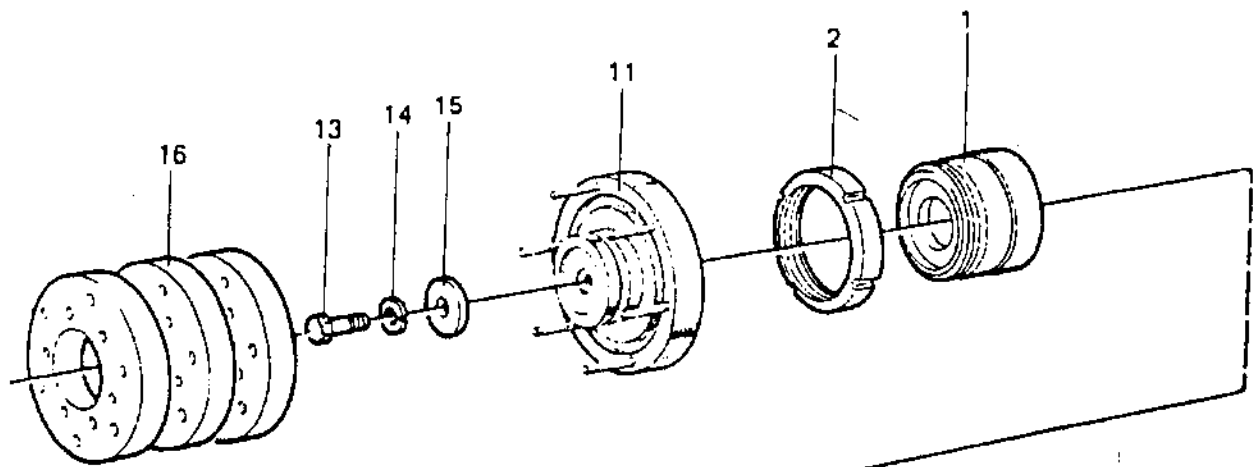


Reference	Hutchison-Hayes Part No.	OEM Part No.	Description	Quantity	Notes
1	21182	546186-02	Centering Ring .....	1	
2	17979	535784-01	Height Adjusting Ring 4mm .....	1	H = 4 mm
2	17980	535784-02	Height Adjusting Ring 5mm .....	1	H = 5 mm
2	17981	535784-03	Height Adjusting Ring 6mm .....	1	H = 6 mm
2	17982	535784-04	Height Adjusting Ring 7mm .....	1	H = 7 mm
2	17983	535784-05	Height Adjusting Ring 8mm .....	1	H = 8 mm
3	21386	546662-80	Discharge Housing Lower .....	1	546666-01
3	21387	546662-81	Discharge Housing Lower .....	1	546666-03
4	12249	2210463-23	Screw .....	4	
5	19367	540829-05	Gasket .....	1	
6	19611	541648-05	Seal Ring .....	1	
7	13404	260104-80	O-Ring .....	3	
8	13403	260104-79	O-Ring .....	1	
9	13343	260083-48	Compression Spring .....	1	
10	19614	541650-01	Holder for Wear Ring .....	1	
11	19368	540829-06	Gasket .....	1	
12	19613	541649-06	Wear Ring .....	1	
13	19290	540527-02	Impeller Bottom Part .....	1	
14	19283	540519-02	Impeller Top Part .....	1	
15	13344	260083-49	Compression Spring .....	1	
16	19615	541651-01	Holder for Wear Ring .....	2	
17	19370	540829-08	Gasket .....	2	
18	19612	541649-05	Wear Ring .....	2	
19	19304	540551-01	Spacing Sleeve .....	1	
20	8007	2 234121-21	O-Ring .....	1	
21	19369	540829-07	Gasket .....	2	
22	19610	541648-04	Seal Ring .....	2	
23	21388	546667-01	Intermediate Part .....	1	
24	8007	2 234121-21	O-Ring .....	1	
25	20772	545499-01	Compression Spring .....	1	
26	19295	540528-02	Impeller Bottom Part .....	1	
27	19285	540520-02	Impeller Top Part .....	1	
28	19268	540493-02	Outlet Pipe .....	1	
29	12853	223406-68	O-Ring .....	1	
30	12840	223406-49	O-Ring .....	2	
31	19303	540550-01	Guide Sleeve .....	1	
32	*	540536-80	Discharge Housing .....	1	546666-01
32	30753	540536-81	Discharge Housing Upper .....	1	546666-03
33	21220	546218-01	Screw .....	2	
34	18524	538092-01	Hook .....	2	
35	13519	260197-01	Union .....	1	
36	20551	544949-01	Tube .....	1	
37	17088	528940-03	Joint Connector .....	1	

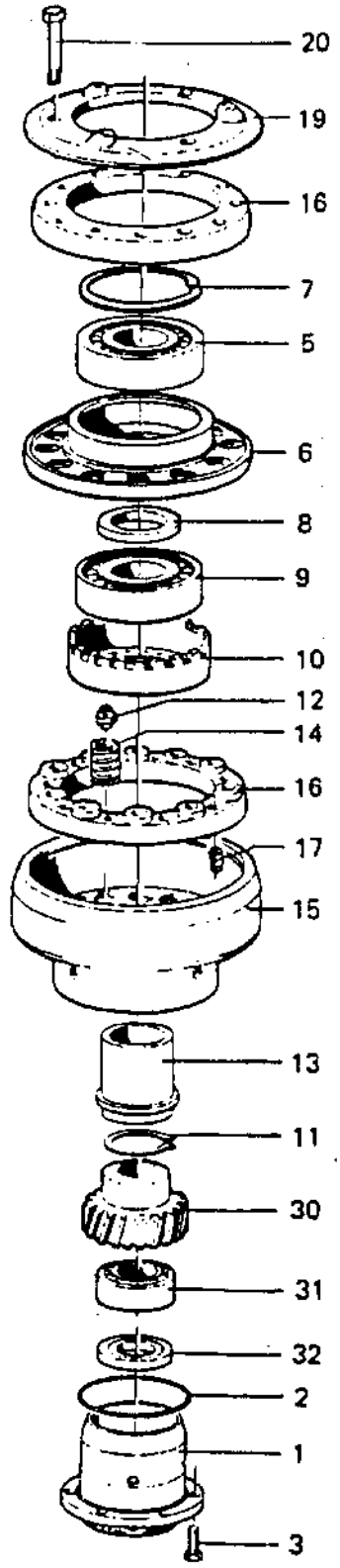
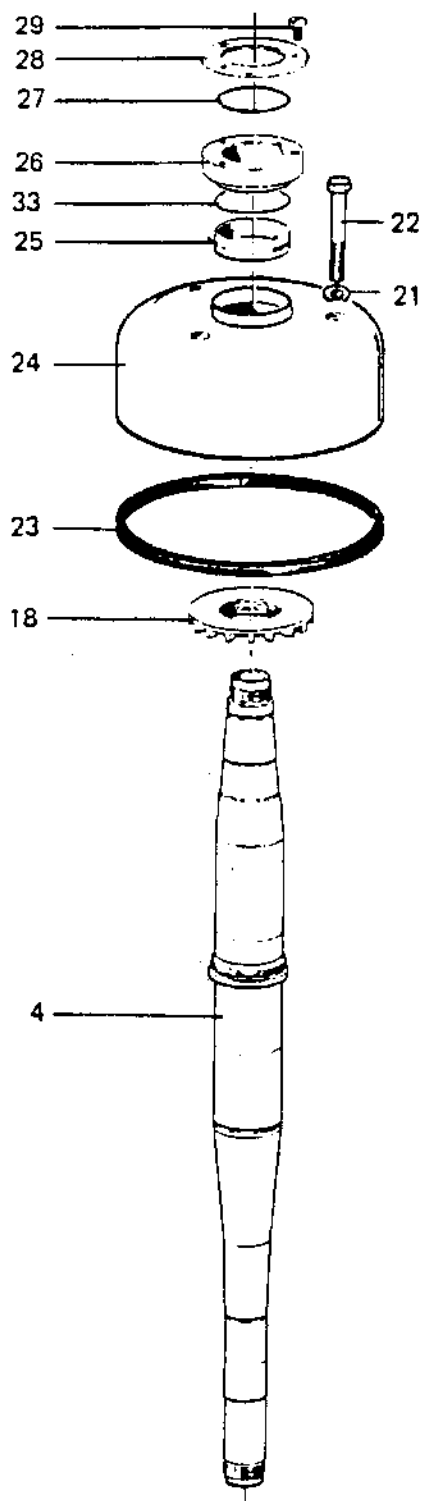




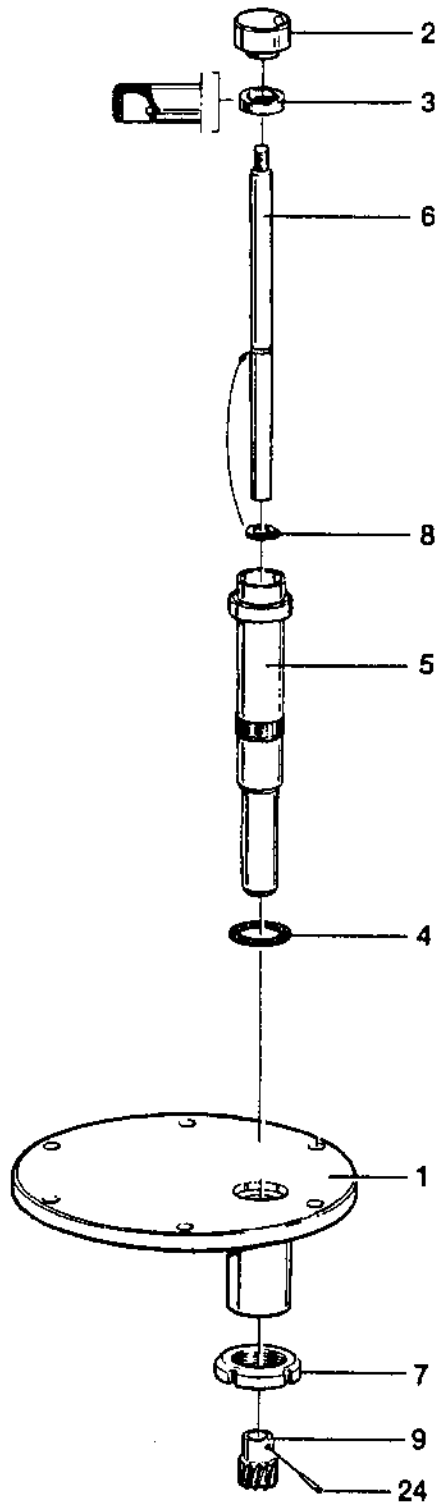
Reference	Hutchison-Hayes Part No.	OEM Part No.	Description	Quantity	Notes
1	19591	541598-81	Bowl Body .....	1	
2	18540	538124-08	Nozzle .....	1	
3	6716	543343-01	Gasket .....	1	
4	8044	529608-01	Sleeve with Wings .....	1	
5	12318	221131-03	Screw .....	3	
6	20039	543422-02	Rectangular Ring .....	1	
7	18450	537838-06	Valve Plug .....	3	
8	20961	545771-01	Plug .....	2	
9	19070	539834-02	Operating Slide .....	1	
10	6715	226214-74	Spring .....	24	
11	8041	541690-81	Spring Support .....	1	
12	16974	528168-02	Screw .....	6	
13	8035	523116-04	Rectangular Ring .....	1	
14	19641	541692-04	Sliding Bowl Bottom .....	1	
15	6712	223416-35	O-Ring .....	1	
16	19496	541334-81	Distributing Cone .....	1	
17	19751	542182-01	Cap Nut .....	1	
18	12850	223406-64	O-Ring .....	1	
19	12847	223406-58	O-Ring .....	1	
20	20959	545769-02	Sleeve with Wings .....	1	
21	20963	545781-01	Distributor .....	1	
22	19653	541741-81	Bottom Disc .....	1	
24	19652	541741-80	Bowl Disc .....	3	
25	19655	541741-84	Bowl Disc .....	5	
26	19502	541353-02	Top Disc .....	1	
27	8024	543170-01	Seal Ring .....	1	
28	6700	521863-02	Rectangular Ring .....	1	
29	7046	74355	O-Ring .....	1	
30	19505	541366-02	Bowl Hood .....	1	
31	19503	541354-02	Lock Ring .....	1	
32	17189	529799-08	Rectangular Ring .....	1	
33	15342	519164-01	Lock Ring .....	1	
34	19652	541741-80	Bowl Disc .....	87	
35	19655	541741-84	Bowl Disc .....	5	
36	19652	541741-80	Bowl Disc .....	87	
99	32037	N/A	MolyCote 1000 .....	1	



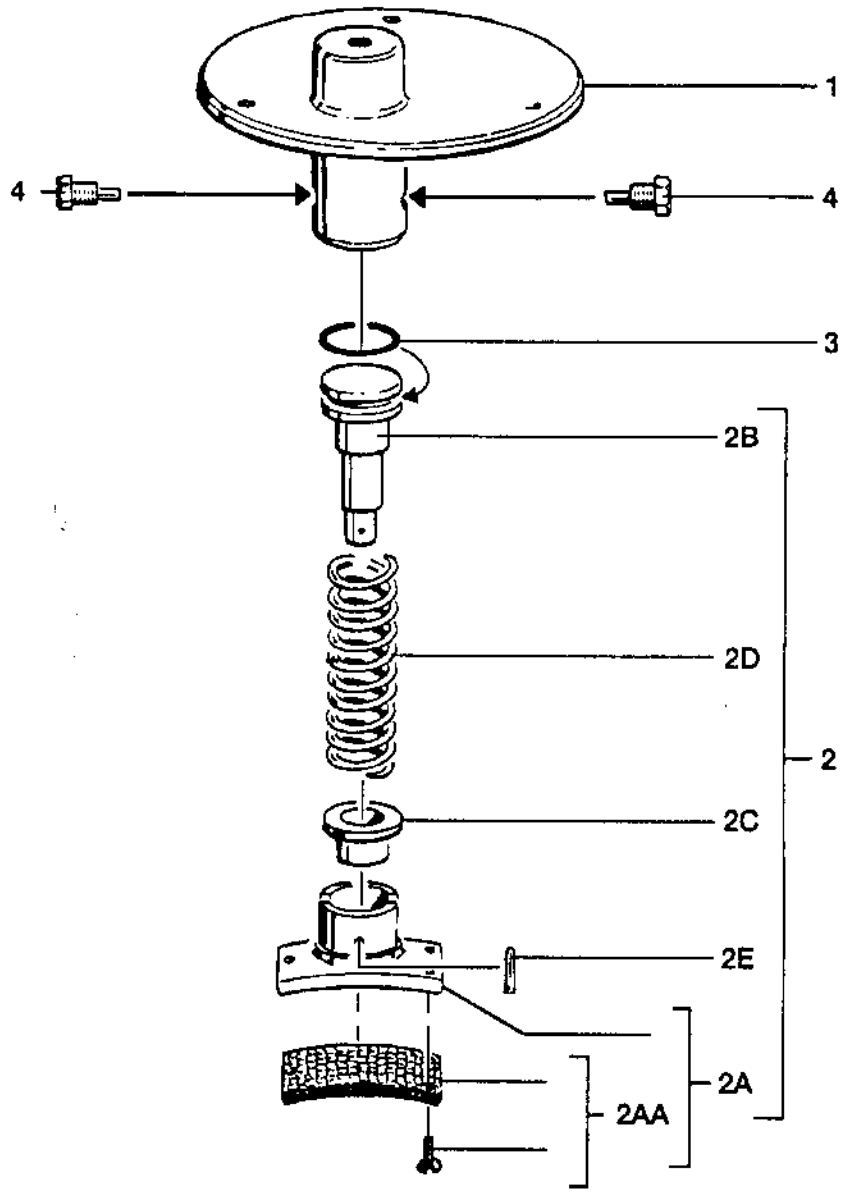
Reference	Hutchison-Hayes Part No.	OEM Part No.	Description	Quantity	Notes
1	20525	544786-01	Bearing Housing .....	1	
2	19713	541985-01	Round Nut .....	1	
3	21282	546424-80	Worm Wheel Shaft .....	1	
4	13224	233211-94	Ball Bearing .....	1	
5	27254	67478	Round Nut .....	1	
6	20528	544789-01	Lock Ring .....	1	
7	20554	544950-03	Worm Wheel .....	1	50 Hz
7	20555	544950-04	Worm Wheel .....	1	60 Hz
9	19716	541988-01	Clamp Element .....	1	
10	8601	8379	Ball Bearing .....	1	
11	20522	544783-80	Coupling Disc .....	1	
12	13089	223610-32	Flat Key .....	1	
13	13324	260001-39	Screw .....	1	
14	12647	223107-28	Spring Washer .....	1	
15	19719	541991-01	Washer .....	1	
16	7280	60571	Elastic Plate .....	3	



Reference	Hutchison-Hayes Part No.	OEM Part No.	Description	Quantity	Notes
1	21365	546607-01	Bottom Bearing Housing .....	1	
2	12814	223406-17	O-Ring .....	1	
3	12443	221721-12	Screw .....	6	
4	21294	546439-01	Bowl Spindle .....	1	
5	8104	548747-05	Ball Bearing .....	1	
6	19821	542451-02	Ball Bearing Housing .....	1	
7	13110	223642-49	Snap Ring .....	1	
8	8105	533415-01	Spacing Sleeve .....	1	
9	8108	548745-03	Ball Bearing .....	1	
10	19820	542450-02	Bearing Housing .....	1	
11	13090	223641-01	Snap Ring .....	1	
12	18541	538129-01	Guide Pin .....	12	
13	20010	543318-01	Sleeve .....	1	
14	13339	260083-41	Compression Spring .....	12	
15	19822	542452-02	Top Bearing Support .....	1	
16	9258	529639-02	Rubber Buffer .....	2	
17	7185	70714	Spring .....	12	
18	19722	542026-02	Oil Fan .....	1	
19	19723	542027-02	Top Bearing Cover .....	1	
20	12219	221045-35	Screw .....	3	
21	19532	541453-05	Uisit-Ring .....	3	
22	12233	221046-16	Screw .....	3	
23	14883	516714-05	Rectangular Ring .....	1	
24	19980	543179-01	Guard .....	1	
25	20341	544271-01	Seal Ring .....	1	
26	20342	544272-01	Protecting Collar .....	1	
27	8049	223412-18	O-Ring .....	1	
28	19990	543188-01	Protecting Plate .....	1	
29	9250	221131-07	Screw .....	3	
30	19621	541661-03	Worm .....	1	50 Hz
30	19622	541661-04	Worm .....	1	60 Hz
31	7203	548746-04	Ball Bearing .....	1	
32	21361	546601-01	Protecting Collar .....	1	
33	12829	223406-36	O-Ring .....	1	

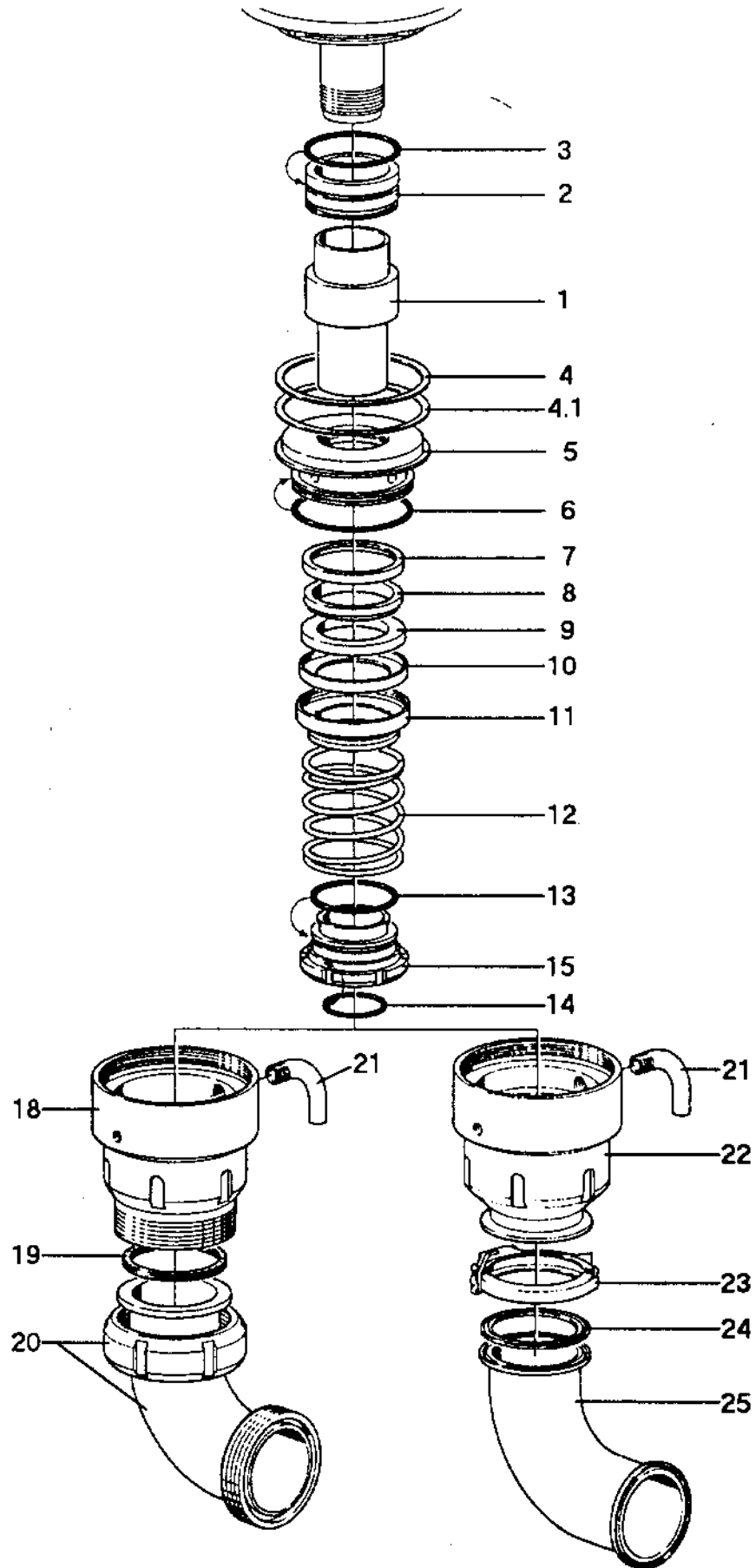


Reference	Hutchison-Hayes Part No.	OEM Part No.	Description	Quantity	Notes
1	20297	544165-02	Worm Wheel Guard .....	1	
2	8174	526694-03	Protecting Collar .....	1	
3	8162	223521-08	Seal Ring .....	1	
4	8179	223434-02	Rectangular Ring .....	1	
5	8178	528743-01	Bushing .....	1	
6	8176	526693-04	Shaft .....	1	
7	7244	67473	Round Nut .....	1	
8	8177	67542	Snap Ring .....	1	
9	7229	69214	Gear Wheel .....	1	
24	7230	69226	Taper Pin .....	1	

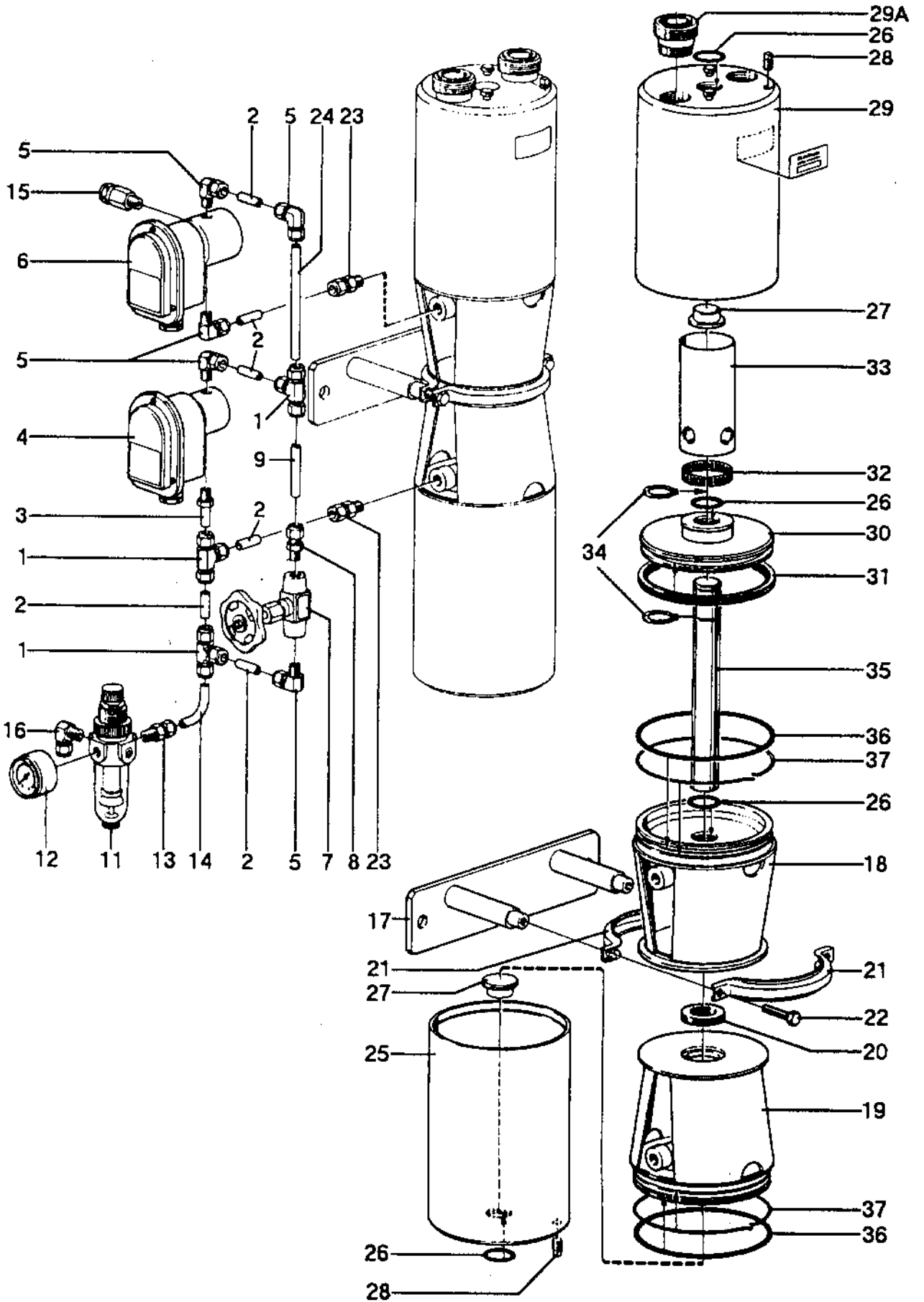




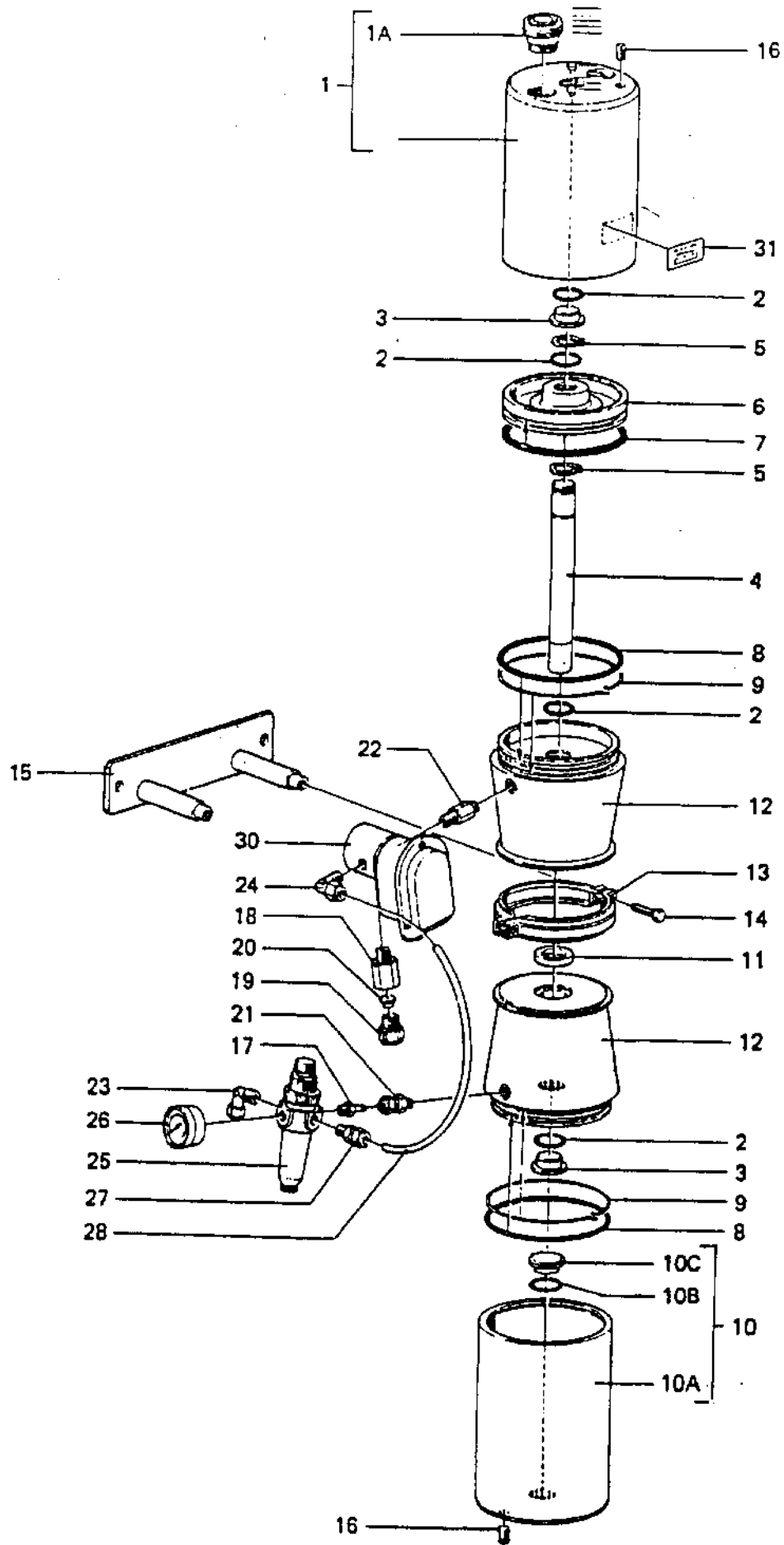
Reference	Hutchison-Hayes Part No.	OEM Part No.	Description	Quantity	Notes
1	20527	544788-80	Protecting Cover .....	1	
2	17901	535201-83	Brake Shoe .....	1	
2A	6756	537602-86	Brake Shoe .....	1	
2AA	7220	310637-84	Friction Pad .....	1	
2AAA	7271	8341	Screw .....	3	
2B	6753	535202-01	Piston Rod .....	1	
2C	6754	535206-01	Gland .....	1	
2D	8315	226214-83	Spring .....	1	
2E	7219	67960	Slotted Pin .....	1	
3	6752	223406-27	O-Ring .....	1	
4	6751	535207-01	Stop Screw .....	2	



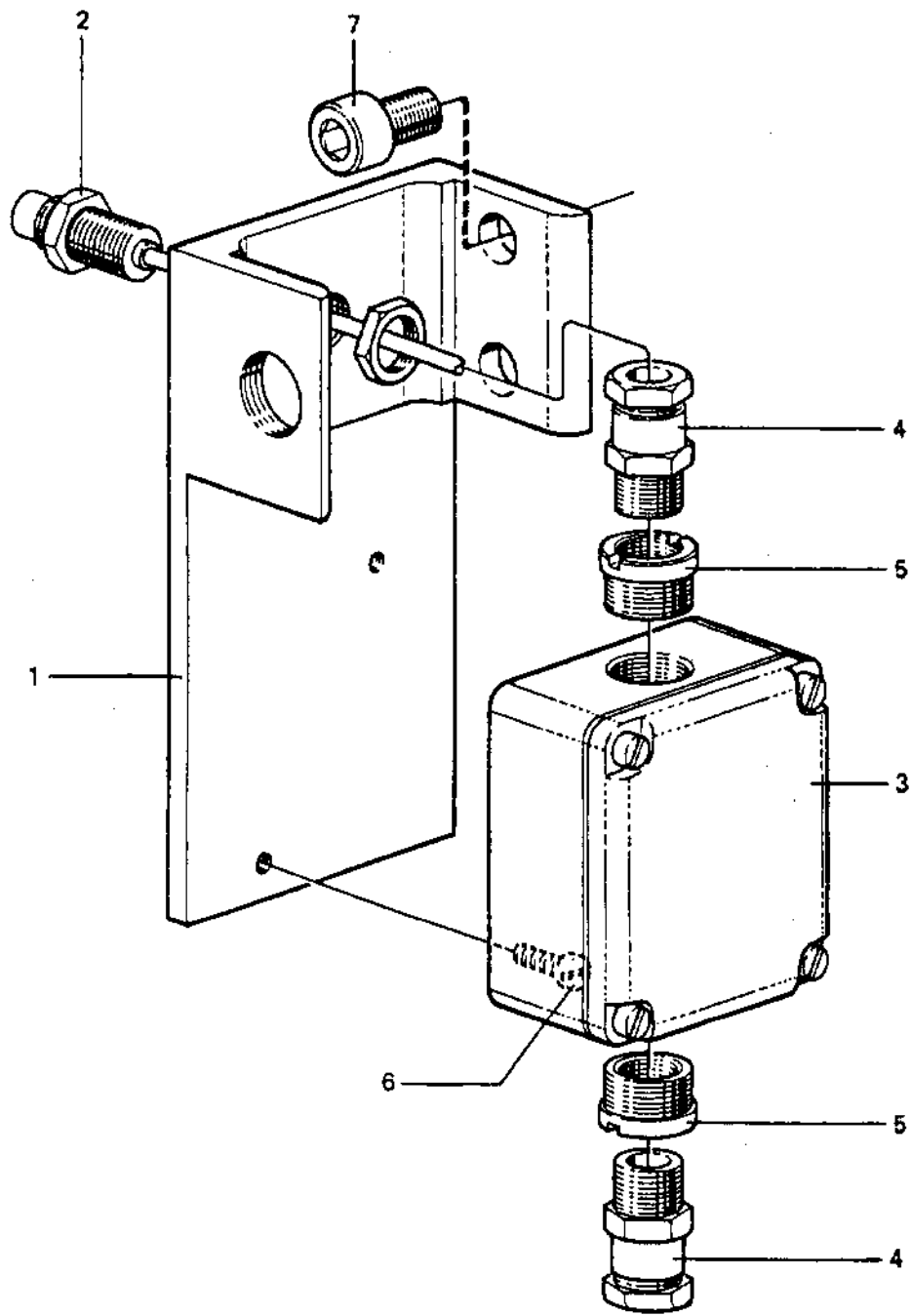
Reference	Hutchison-Hayes Part No.	OEM Part No.	Description	Quantity	Notes
1	21373	546636-01	Sleeve .....	1	
2	21372	546635-01	Radiation Ring .....	1	
3	12812	223406-15	O-Ring .....	1	
4	21375	546637-01	Height Adjusting Ring 1mm .....	3	T = 1.0 mm
4.1	21376	546637-02	Height Adjusting Ring .5 mm .....	1	T = 0.5 mm
5	21366	546610-01	Intermediate Part .....	1	
6	12811	223406-14	O-Ring .....	1	
7	19367	540829-05	Gasket .....	1	
8	19611	541648-05	Seal Ring .....	1	
9	19613	541649-06	Wear Ring .....	1	
10	19368	540829-06	Gasket .....	1	
11	19614	541650-01	Holder for Wear Ring .....	1	
12	20773	545499-02	Compression Spring .....	1	
13	13403	260104-79	O-Ring .....	1	
14	12847	223406-58	O-Ring .....	1	
15	21301	546450-01	Guide Sleeve .....	1	
18	21381	546655-01	Inlet Housing .....	1	546657-81
19	12079	190605	Rectangular Ring .....	1	546657-81
20	12108	191033	Elbow Pipe .....	1	546657-81
21	20765	545461-01	Tube Bend .....	1	
22	22015	548412-01	Inlet Housing .....	1	546657-82
23	18571	538247-04	Clamp Coupling .....	1	546657-82
24	18574	538248-03	Gasket .....	1	546657-82
25	19647	541709-80	Elbow Pipe .....	1	546657-82



Reference	Hutchison-Hayes Part No.	OEM Part No.	Description	Quantity	Notes
1	30759	552894-13	Union Tee .....	3	
2	30760	552894-32	Port Connector .....	6	
3	22901	552755-13	Tube Adapter .....	1	
4	30768	554495-01	Solenoid Valve 24vdc .....	1	554569-01
4	30769	554495-02	Solenoid Valve 24vac .....	1	554569-02
4	30770	554495-03	Solenoid Valve 48vac .....	1	554569-03
4	30771	554495-04	Solenoid Valve 110vac .....	1	554569-04
5	22905	552755-73	Male Elbow Connector .....	4	
6	22883	552652-80	Solenoid Valve 24V DC .....	1	554569-01
6	22884	552652-81	Solenoid Valve 24 V AC, 50/60 Hz .....	1	554569-02
6	22885	552652-82	Solenoid Valve 48V AC, 50/60 Hz .....	1	554569-03
6	22886	552652-83	Solenoid Valve 110V AC, 50/60 Hz .....	1	554569-04
7	30761	554038-01	Needle Valve .....	1	
8	30757	552755-43	Male Connector .....	1	
9	30765	554069-02	Pipe .....	1	
10	22934	552894-02	Union Elbow .....	1	
11	29537	770120-05	Filter Regulator .....	1	
12	19922	543054-20	Pressure Gauge .....	1	
13	30756	552755-32	Male Connector .....	1	
14	30764	554068-03	Elbow Pipe .....	1	
14A	30765	554069-02	Pipe .....	1	
15	22912	553325-02	Silencer .....	1	
16	30758	552755-60	Male Elbow Connector .....	1	
17	30754	544968-82	Holder .....	1	
18	30772	554712-01	Intermediate Part .....	1	
19	30773	554713-01	Intermediate Part .....	1	
20	30755	545098-02	Washer .....	1	
21	20436	544611-01	Clamp Half .....	2	
22	12185	221036-06	Screw .....	2	
23	22903	552755-33	Male Connector .....	2	
24	30766	554069-07	Pipe .....	1	
25	32096	31353 0185-1	Cylinder .....	1	
26	12840	223406-49	O-Ring .....	4	
27	20422	544584-01	Plug .....	2	
28	20574	544990-01	Plug .....	2	
29	20425	544586-81	Cylinder .....	1	
29A	20426	544587-01	Nipple .....	2	
30	30763	554065-01	Piston .....	1	
31	23025	554090-02	Piston Seal .....	1	
32	30767	554094-01	Tolerance Ring .....	1	
33	30762	554059-01	Distance Pipe .....	1	
34	15527	519975-05	Snap Ring .....	2	
35	20428	544590-01	Piston Rod .....	1	
36	12814	223406-17	O-Ring .....	2	
37	22929	552835-02	Locking Wire .....	2	

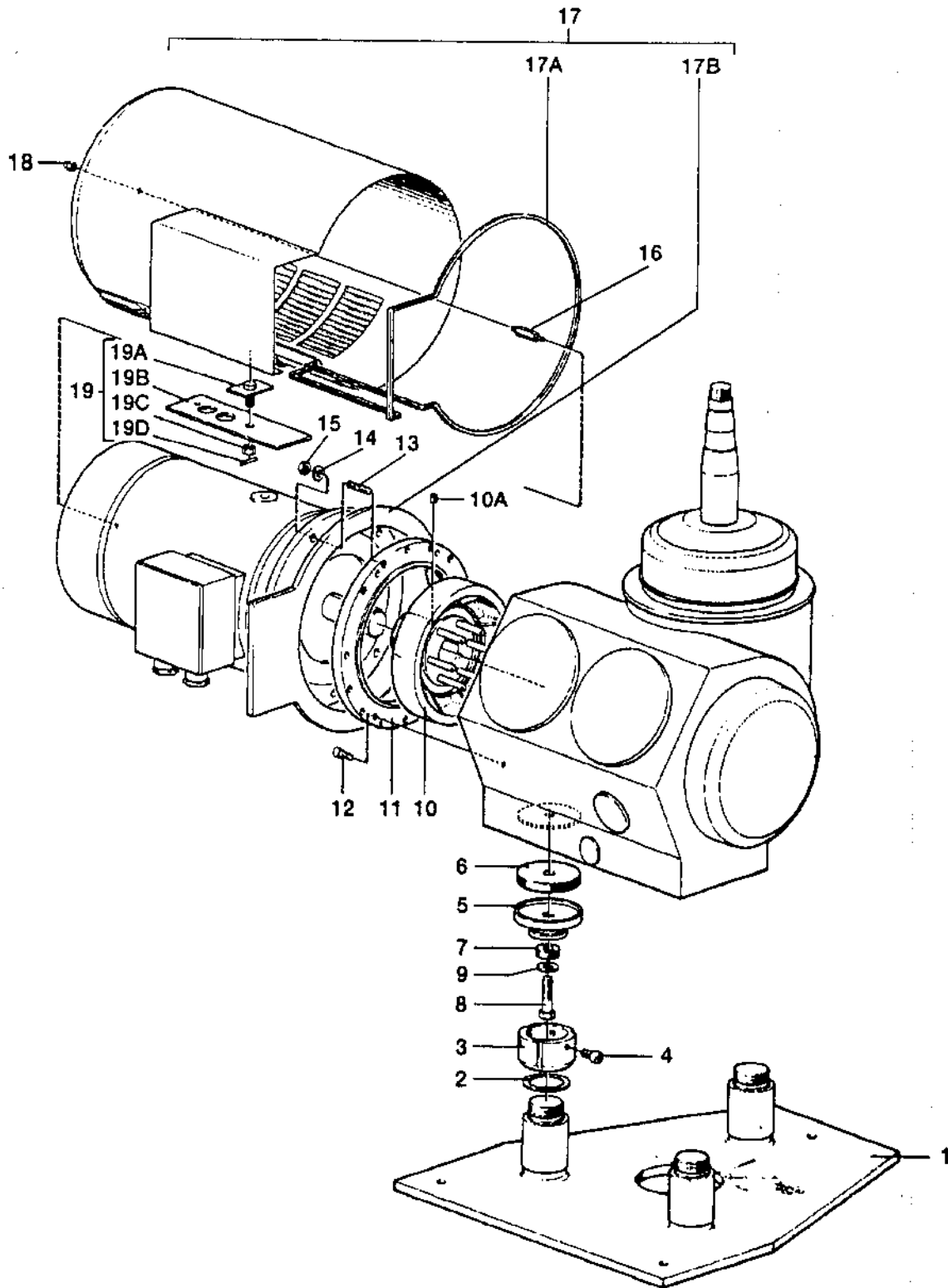


Reference	Hutchison-Hayes Part No.	OEM Part No.	Description	Quantity	Notes
1	20424	544586-80	Cylinder .....	1	
1A	20426	544587-01	Nipple .....	2	
2	12840	223406-49	O-Ring .....	4	
3	20422	544584-01	Plug .....	2	
4	20428	544590-01	Piston Rod .....	1	
5	15527	519975-05	Snap Ring .....	2	
6	20427	544589-01	Piston .....	1	
7	12712	223401-75	O-Ring .....	1	
8	12814	223406-17	O-Ring .....	2	
9	22929	552835-02	Locking Wire .....	2	
10	20423	544585-80	Cylinder .....	1	
10A	32096	31353 0185-1	Cylinder .....	1	
10B	12840	223406-49	O-Ring .....	1	
10C	20422	544584-01	Plug .....	1	
11	30755	545098-02	Washer .....	1	
12	32097	548734-01	Intermediate Part .....	2	
13	20436	544611-01	Clamp Half .....	2	
14	12185	221036-06	Screw .....	2	
15	30754	544968-82	Holder .....	1	
16	20574	544990-01	Plug .....	2	
17	22900	552755-01	Tube Adapter .....	1	
18	22909	552770-03	Reducing Adapter .....	1	
19	20433	544599-01	Silencer .....	1	
20	20534	544900-01	Throttling Washer .....	1	
21	22902	552755-30	Male Connector .....	1	
22	22911	552770-40	Adapter .....	1	
23	22904	552755-61	Male Elbow Connector .....	1	
24	22905	552755-73	Male Elbow Connector .....	1	
25	29539	770120-07	Filter Regulator .....	1	
26	29523	770048-01	Pressure Gauge .....	1	
27	22903	552755-33	Male Connector .....	1	
28	22913	552786-22	Decoron n2 Tubing .....	1	
30	22885	552652-82	Solenoid Valve .....	1	
31	18896	539436-01	Art. No Plate .....	1	

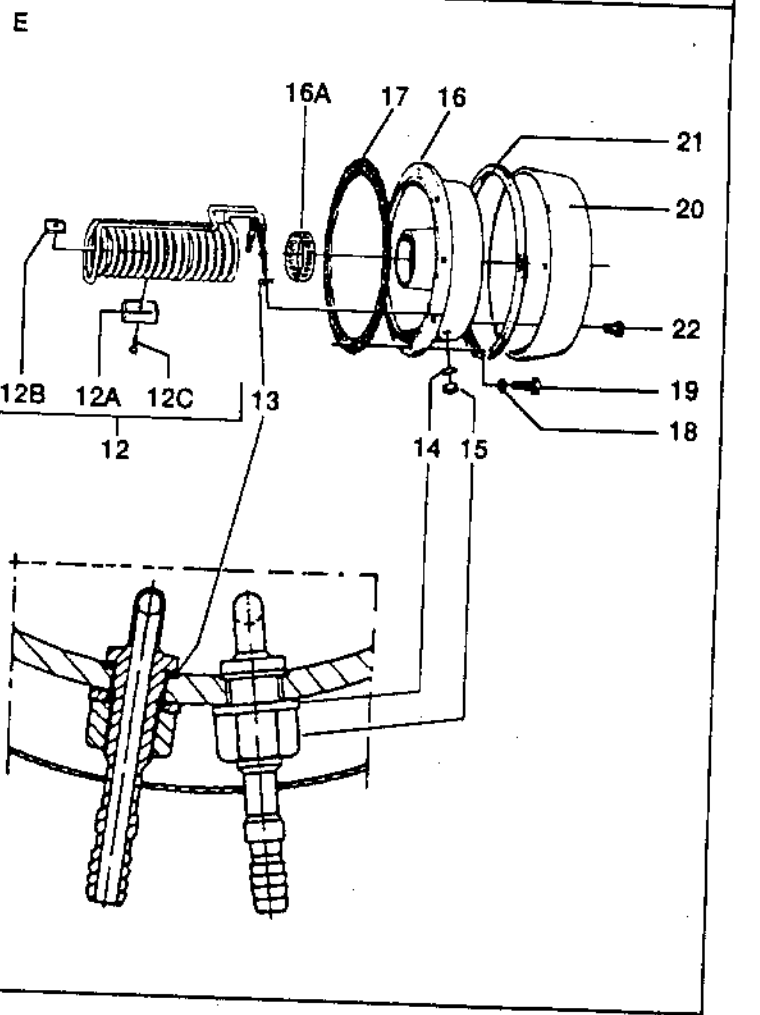
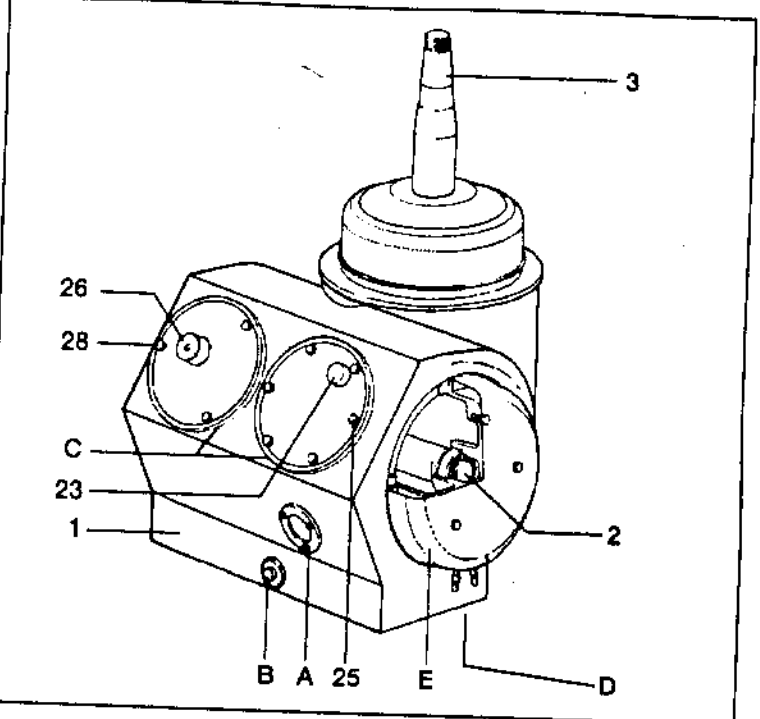
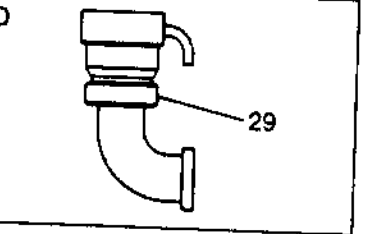
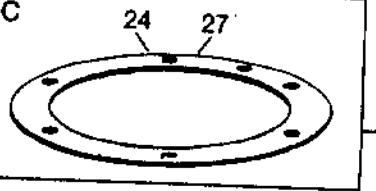
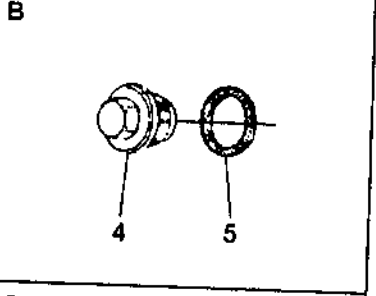
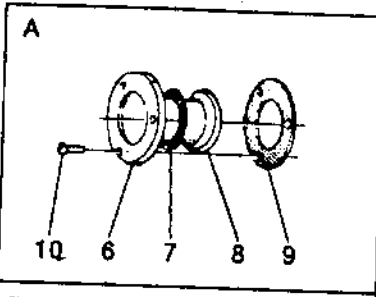




Reference	Hutchison-Hayes Part No.	OEM Part No.	Description	Quantity	Notes
1	21331	546531-01	Support .....	1	
2	22858	552042-01	Inductive Sensor .....	1	
3	19764	542267-01	Junction Box .....	1	
4	17215	529910-01	Seal Sleeve .....	2	
5	18939	539505-03	Reducing Socket .....	2	
6	12298	221120-27	Screw .....	2	
7	12451	221721-37	Screw .....	2	



Reference	Hutchison-Hayes Part No.	OEM Part No.	Description	Quantity	Notes
1	*	541901-80	Frame Bottom Part .....	1	
2	*	546423-83	Driving Device Horizontal .....	1	
3	*	546800-84	Driving Device Vertical .....	1	
4	8135	526189-01	Drain Screw .....	1	
5	8134	223316-05	Rectangular Ring .....	1	
6	8137	523215-02	Fixing Plate .....	1	
7	7235	37167	Rectangular Ring .....	1	
8	7234	38685	Glass Disc .....	1	
9	8136	528723-01	Gasket .....	1	
10	12319	221131-08	Screw .....	3	
12	8068	534126-83	Cooling Coil .....	1	
12A	8070	534127-01	Magnet .....	1	
12B	8069	534128-01	Washer .....	1	
12C	13547	260250-05	Screw .....	1	
13	8072	73665	Rectangular Ring .....	2	
14	12637	223101-37	Washer .....	2	
15	12504	221803-40	Nut .....	2	
16	20073	543494-80	Bearing Shield .....	1	
16A	20608	545063-03	Tolerance Ring .....	1	
17	6326	43626	Gasket .....	1	
18	12637	223101-61	Washer .....	8	
19	12202	221041-01	Screw .....	8	
20	17043	528709-01	Guard .....	1	
21	6337	43630	Seal Strip .....	1	
22	12211	221041-20	Screw .....	2	
23	30731	528753-85	Worm Wheel Guard .....	1	
24	8124	528732-01	Gasket .....	1	
25	12211	221041-20	Screw .....	6	
26	30730	535336-81	Remote Control Brake .....	1	
27	8124	528732-01	Gasket .....	1	
28	12211	221041-20	Screw .....	3	
29	*	546657-82	Inlet Device .....	1	



Reference	Hutchison-Hayes Part No.	OEM Part No.	Description	Quantity	Notes
1	20134	543688-80	Foundation Plate .....	1	
2	10278	785332-02	Adjusting Washer .....	18	
3	17046	528729-02	Holder .....	3	
4	12463	221731-11	Screw .....	9	
5	10277	526186-02	Frame Foot .....	3	
6	6723	528738-02	Rubber Cushion .....	3	
7	7032	65235	Rectangular Ring .....	3	
8	13322	260001-21	Screw .....	3	
9	6725	223142-04	Washer .....	3	
10	20519	544782-80	Brake Pulley .....	1	
10A	12381	221581-74	Screw .....	1	
11	20517	544781-02	Motor Adapter .....	1	
12	9255	221726-09	Screw .....	6	
13	13478	260176-01	Stud Bolt .....	6	
14	28126	70490	Washer .....	6	
15	12502	221803-34	Nut .....	6	
16	20529	544790-01	Spacing Pin .....	1	
17	20252	544057-81	Guard .....	1	
17A	6298	43631	Seal Strip .....	2	
17B	20168	543775-81	Guide Ring .....	1	
18	12523	221851-11	Cap Nut .....	1	
19	20170	543776-81	Covering Plate f Prot Cap .....	1	
19A	32093	543778-80	Locking Plate .....	1	
19B	32094	543777-02	Covering Plate .....	1	
19C	12504	221803-40	Nut .....	1	
19D	32095	68617	Slotted Pin .....	1	